

# INSTRUCTIONS – PARTS LIST

## INSTRUCTIONS!

This manual contains important warnings and information.  
**READ AND KEEP FOR REFERENCE.**



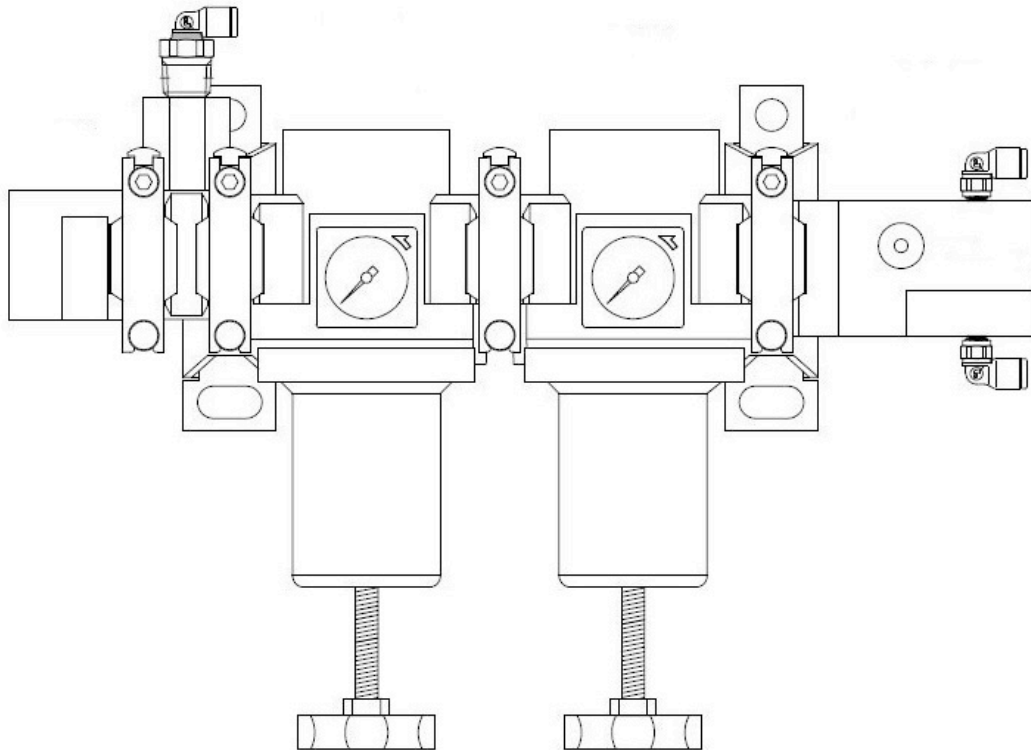
**Autoquip, Inc.**

## AQ Air Flow Control

(3076-AFC3-000)

(3076-AFC4-000)

U.S. PAT: 6,874,404; 6,516,707; 6,223,645



---

**AUTOQUIP, INC.**

**N57 W13430 REICHERT AVENUE, MENOMONEE FALLS, WI 53051**

©COPYRIGHT 2004, AUTOQUIP, INC.

# Table of Contents

Warnings.....	2,3	Accessories.....	9
Operation.....	4	Dimensions.....	10
Installation.....	5	Technical Data.....	11
Parts.....	6,7,8	Warranty.....	12

## Symbols

### Warning Symbol



This symbol alerts you to the possibility of serious injury or death if you do not follow the instructions.

### Caution Symbol



This symbol alerts you to the possibility of damage to or destruction of equipment if you do not follow the instructions.

### **WARNING**

#### **EQUIPMENT MISUSE HAZARD**

Equipment misuse can cause the equipment to rupture or malfunction and result in serious injury.

- This equipment is for professional use only.
- Read all instruction manuals, tags, and labels before operating the equipment.
- Use the equipment only for its intended purpose. If you are not sure, call your Autoquip distributor.
- Do not alter or modify this equipment. Use only genuine Autoquip parts.
- Check equipment daily. Repair or replace worn or damaged parts immediately.
- Use fluids and solvents that are compatible with the equipment wetted parts. Refer to the **Technical Data** section of all equipment manuals. Read the fluid and solvent manufacturer's warnings.
- Always wear protective eyewear, gloves, clothing, and respirator as recommended by the fluid and solvent manufacturer.
- Comply with all applicable local, state, and national fire, electrical, and safety regulations.



## **WARNING**

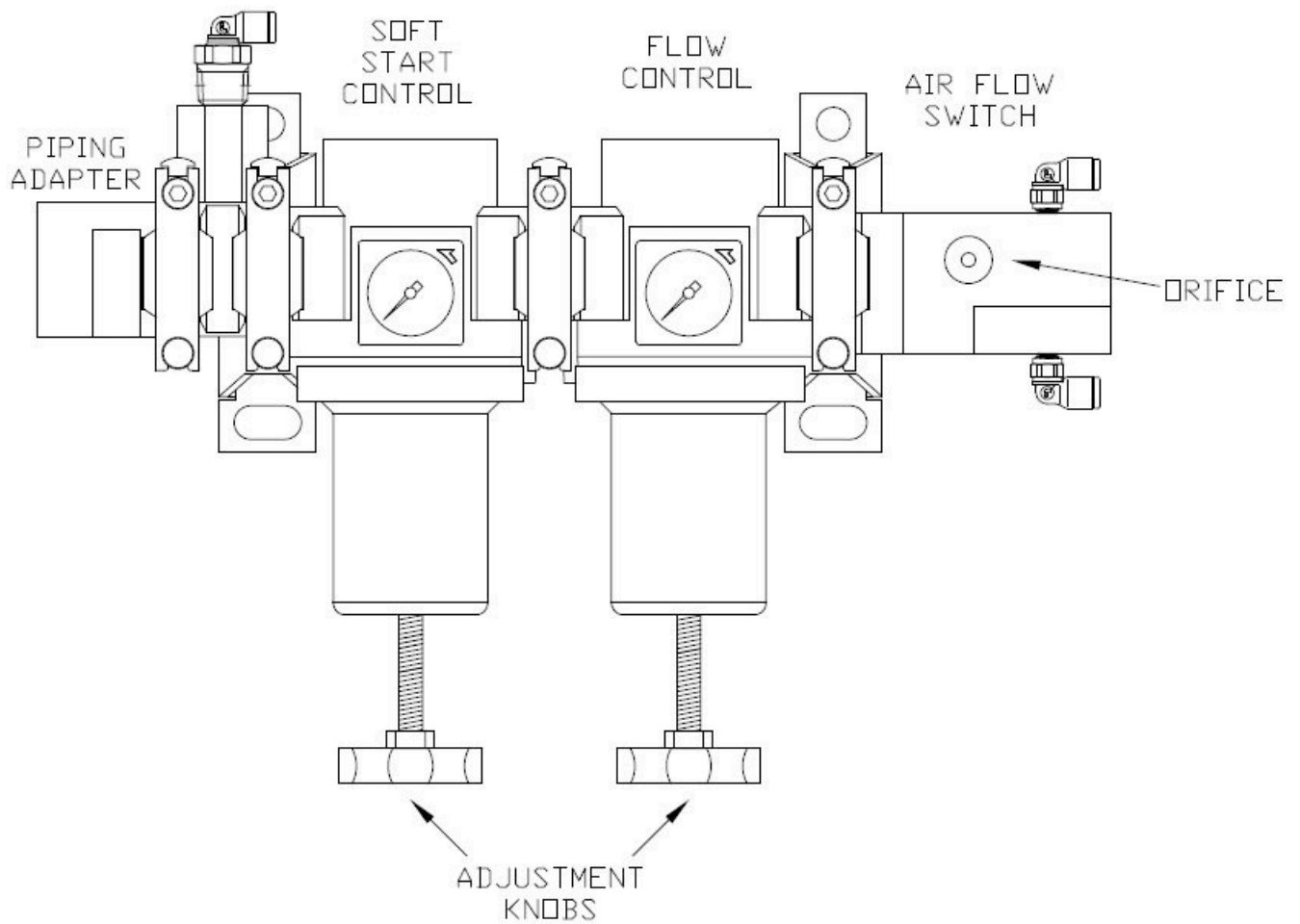
### **MOVING PARTS HAZARD**

Moving parts can pinch or amputate your fingers or other body parts and can cause splashing in the eyes or on the skin.

- Keep clear of all moving parts.

United States Government safety standards have been adopted under the Occupational Safety and Health Act. You should consult these standards – particularly the General Standards, Part 1910, and the Construction Standards, Part 1926.

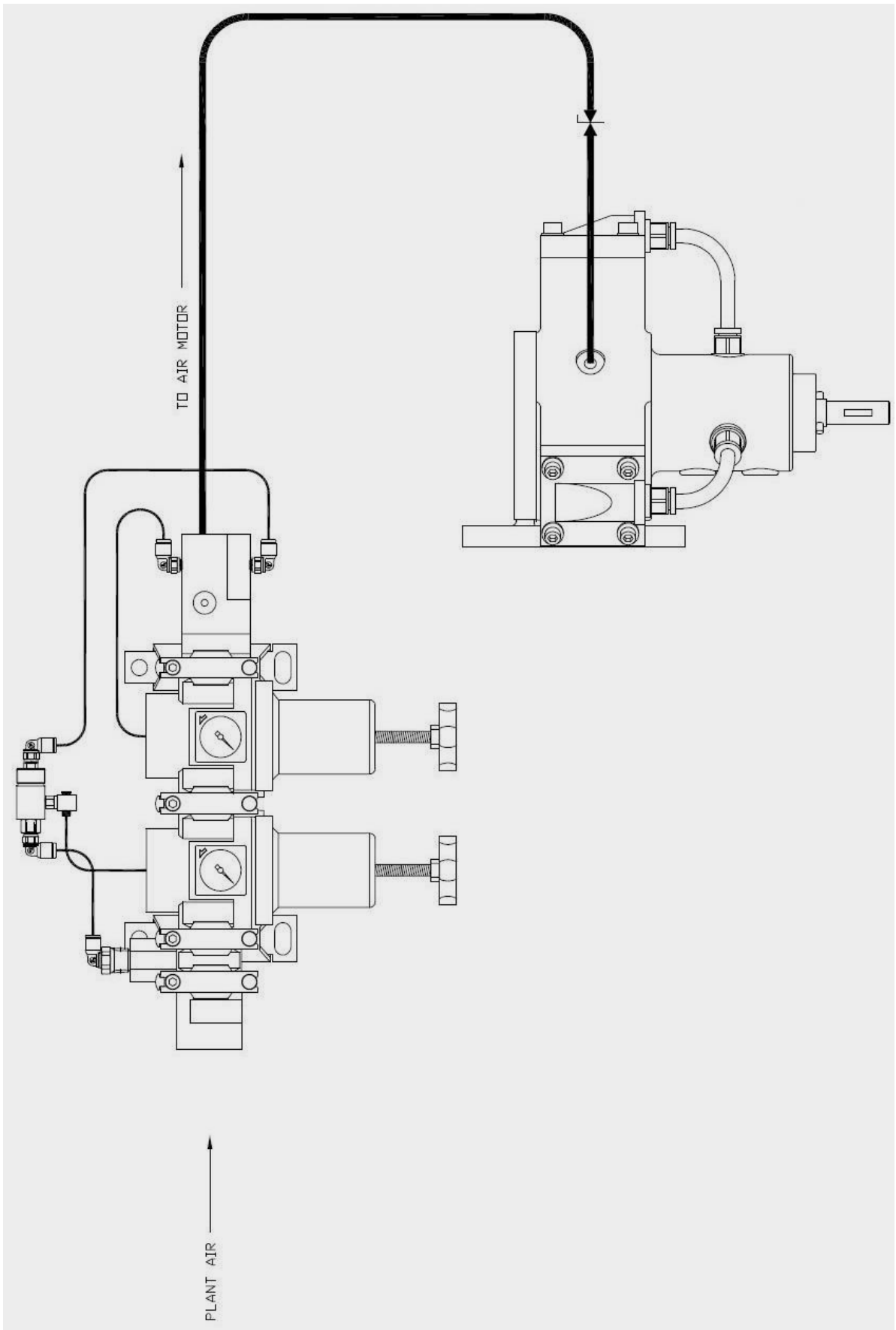
# Operation



The AQ Air Flow Control maintains a constant air flow rate by continually varying pressure based on the pressure drop through an orifice.

To set the air flow control, turn both adjustment knobs 1-2 turns, and turn on air to the downstream device. Once air flow has begun, adjust the flow control to the desired rate. Turn off air to the downstream device and set the soft start control to the desired base pressure.

# Installation





## Parts (3076-AFC3-000)

<b>Item</b>	<b>PART NO.</b>	<b>DESCRIPTION</b>	<b>QTY</b>
1	3076-30-36A	Piping Adapter	1
2	3076-30-02A	Clamp	2
3	3076-30-03A	¼ NPT x 5/32 PL fitting	1
4	3076-30-04A	T-Fitting	1
5	3076-30-05A	10-32 NPT x 5/32 PL fitting	5
6	3076-40-06A	Boost Valve	1
7	3076-30-07A	#10-32 Nipple	1
8	3076-30-08A	#10-32 Elbow	1
9	3076-30-37A	Body	2
10	3076-30-21A	Switch/Orifice Body	1
11	3110-B0-008A*	-008 Buna-N O-ring	1
12	3076-30-23A	Flow Switch Body	1
13	3076-55-__A	Orifice (See Page 9)	1
14	3076-40-25A	Shoulder Bolt	1
15	3076-30-27A	Mounting Clamp	2
16	3076-30-28A	Clamp O-Ring	4
17	3076-30-29A*	Flow Switch Diaphragm	1
18	3076-30-31A	Flow Switch Screw	4
19	3076-30-32A	Plug Screw	1
20	3076-30-33A*	Plug O-ring	1
21	3076-30-34A*	Orifice O-ring	1
22	3076-30-01A	Supply control valve (OPTIONAL)	1

\* Denotes items included in rebuild kit 3076-AFCR-000

## Parts (3076-AFC4-000)

<b>Item</b>	<b>PART NO.</b>	<b>DESCRIPTION</b>	<b>QTY</b>
1	3076-40-36A	Piping Adapter	1
2	3076-40-02A	Clamp	2
3	3076-30-03A	¼ NPT x 5/32 PL fitting	1
4	3076-40-04A	T-Fitting	1
5	3076-30-05A	10-32 NPT x 5/32 PL fitting	5
6	3076-40-06A	Boost Valve	1
7	3076-30-07A	#10-32 Nipple	1
8	3076-30-08A	#10-32 Elbow	1
9	3076-40-37A	Body	2
10	3076-40-21A	Switch/Orifice Body	1
11	3110-B0-008A*	-008 Buna-N O-ring	1
12	3076-30-23A	Flow Switch Body	1
13	3076-55-__A	Orifice (See Page 9)	1
14	3076-40-25A	Shoulder Bolt	1
15	3076-40-27A	Mounting Clamp	2
16	3076-40-28A	Clamp O-Ring	4
17	3076-30-29A*	Flow Switch Diaphragm	1
18	3076-30-31A	Flow Switch Screw	4
19	3076-40-32A	Plug Screw	1
20	3076-30-33A*	Plug O-ring	1
21	3076-30-34A*	Orifice O-ring	1
22	3076-40-01A	Supply control valve (OPTIONAL)	1

\* Denotes items included in rebuild kit 3076-AFCR-000

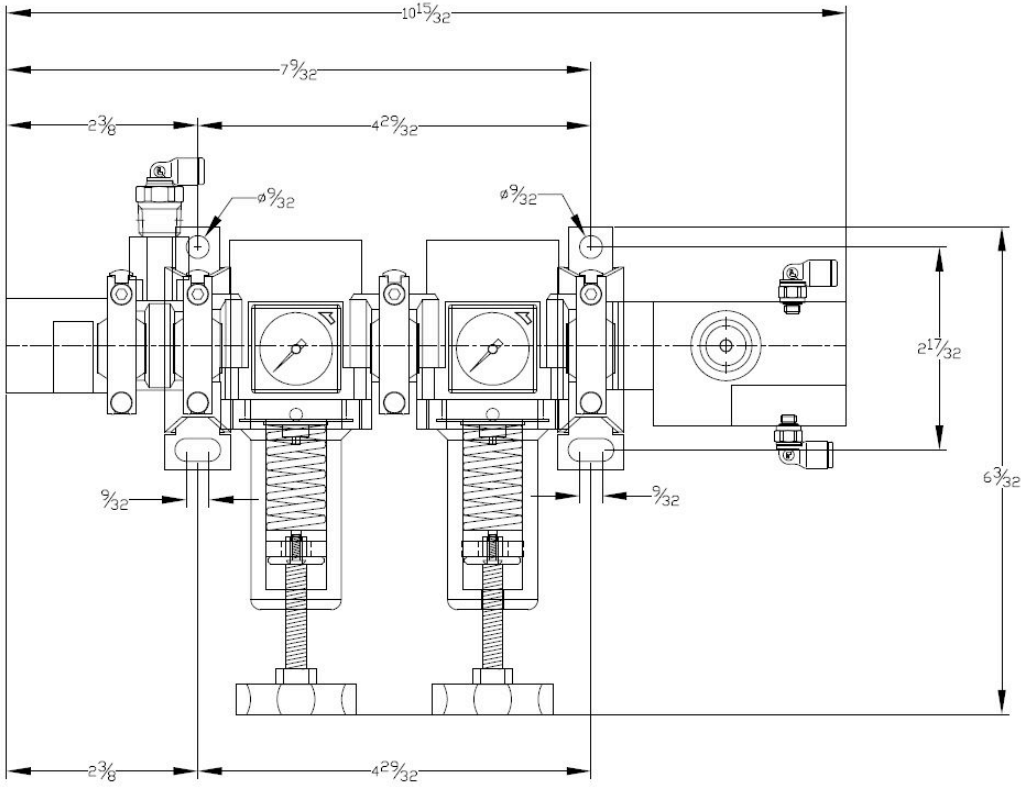


# Accessories

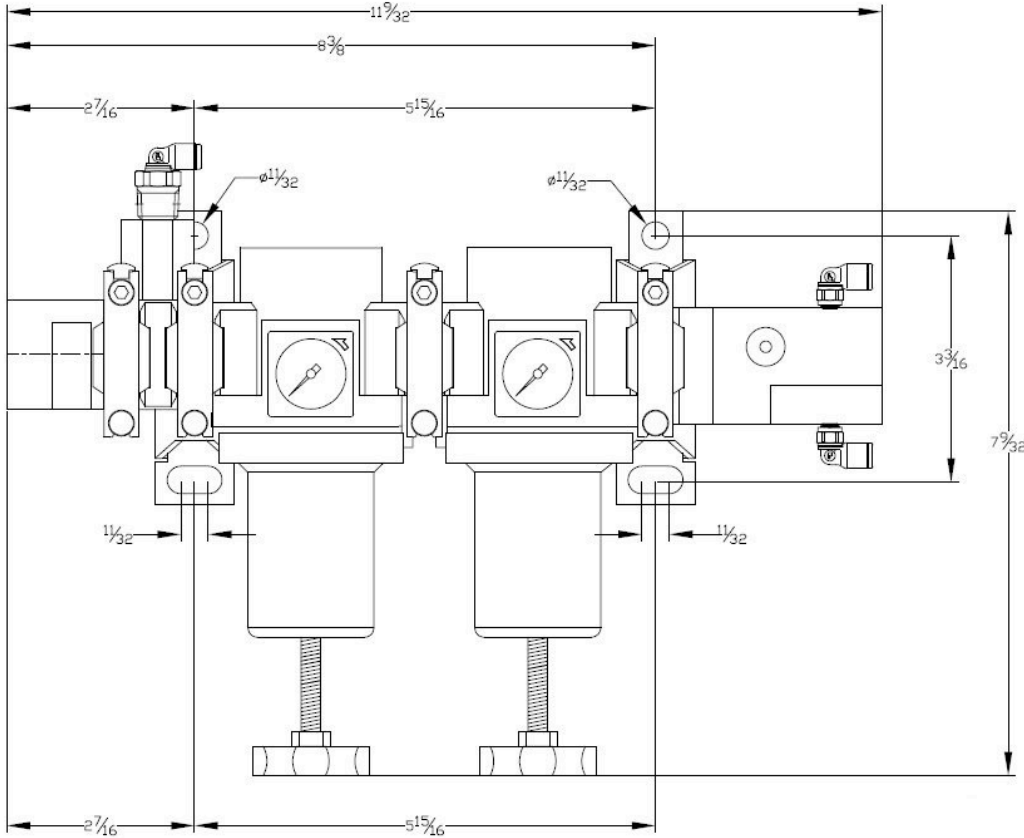
<b>Part #</b>	<b>Description</b>
3076-55-02A (Standard 30)	Size 1 Orifice ( 1 mm x ½ mm )
3076-55-03A (Standard 40)	Size 2 Orifice ( 1 mm x 1 mm )
3076-AFCR-000	30 & 40 Series Rebuild kit

# Dimensions

## 3076-AFC3-000



## 3076-AFC4-000



# Technical Data

**Inlet size:** 3076-AFC3-000: 3/8" NPT  
3076-AFC4-000: 1/2"NPT

**Outlet size:** 3076-AFC3-000: 3/8" NPT  
3076-AFC4-000: 1/2"NPT

# Autoquip Standard Warranty

Autoquip Inc. warrants all equipment manufactured by Autoquip Inc. and bearing its name to be free from defects in material and workmanship on the date of sale by an authorized Autoquip Inc. distributor to the original purchaser for use. With the exception of any special, extended, or limited warranty published by Autoquip Inc., Autoquip Inc. will, for a period of twelve months from the date of sale, repair or replace any part of the equipment determined by Autoquip Inc. to be defective. This warranty only when the equipment is installed, operated, and maintained in accordance with Autoquip Inc.'s written recommendations.

This warranty does not cover, and Autoquip Inc. shall not be liable for general wear and tear, or any malfunction, damage, or wear and tear caused by faulty installation, misapplication, abrasion, corrosion, inadequate or improper maintenance, negligence, accident, tampering, or substitution of non-Autoquip Inc. component parts. Nor shall Autoquip Inc. be liable for malfunction, damage or wear caused by the incompatibility of Autoquip Inc. equipment with structures, accessories, equipment or materials not supplied by Autoquip Inc., or the improper design, manufacture, installation, operation or maintenance of structure, accessories, equipment or materials not supplied by Autoquip Inc.

This warranty is conditioned upon the prepaid return of the equipment claimed to be defective to an authorized Autoquip Inc. distributor for verification of the claimed defect. If the claimed defect is verified, Autoquip Inc. will repair or replace free of charge any defective parts. The equipment will be returned to the original purchaser transportation prepaid. If inspection of the equipment does not disclose any defect in material or workmanship, repairs will be made at a reasonable charge, which charges may include the costs of parts, labor, and transportation.

**THIS WARRANTY IS EXCLUSIVE, AND IS IN LIEU OF ANY OTHER WARRANTIES, EXPRESS OR IMPLIED, INCLUDING BUT NOT LIMITED TO WARRANTY OF MERCHANTABILITY OR WARRANTY OF FITNESS FOR A PARTICULAR PURPOSE.**

Autoquip Inc.'s sole obligation and buyer's sole remedy for any breach of warranty shall be set forth above. The buyer agrees that no other remedy (including, but not limited to incidental or consequential damages for lost profits, lost sales, injury to person or property, or any other incidental or consequential loss) shall be available. Any action for breach of warranty must be brought within two (2) years of the date of sale.

Autoquip Inc. makes no warranty, and disclaims all implied warranties of merchantability and fitness for a particular purpose in connection with accessories, equipment, material or components sold but not manufactured by Autoquip Inc. These items sold, but not manufactured by Autoquip Inc. (such as electric motors, switches, hose, etc.) are subject to the warranty, if any, from their manufacturer. Autoquip Inc. will provide purchaser with reasonable assistance in making any claim for breach of these warranties.

In no event will Autoquip Inc. be liable for indirect, incidental, special or consequential damage resulting from Autoquip Inc. supplying equipment hereunder, or the furnishing, performance, or use of any products or other goods sold hereto, whether due to breach of contract, breach of warranty, the negligence of Autoquip Inc., or otherwise.

## **FOR AUTOQUIP, INC. CANADA CUSTOMERS**

The parties acknowledge that they required that the present document, as well as all documents, notices and legal proceedings entered into, given or instituted pursuant hereto or relating directly or indirectly hereto, be drawn up in English. Les parties reconnaissent avoir convenu que la rédaction du présent document sera en Anglais, ainsi que tous documents, avis et procédures judiciaires exécutés, donnés ou intentés à la suite de ou en rapport, directement ou indirectement, avec les procédures concernées.

## Autoquip Phone Numbers

**TO PLACE AN ORDER**, contact your Autoquip distributor, or call this number to identify the distributor closest to you :  
(262) 781-6133

*All written and visual data contained in this document reflects the latest product information available at the time of publication.  
Autoquip reserves the right to make changes at any time without notice.*

**Sales Offices :** MENOMONEE FALLS, WI (262) 781-6133

AUTOQUIP, INC. N57 W13430 REICHERT AVENUE MENOMONEE FALLS, WI 53216  
<http://www.aqautomation.com>