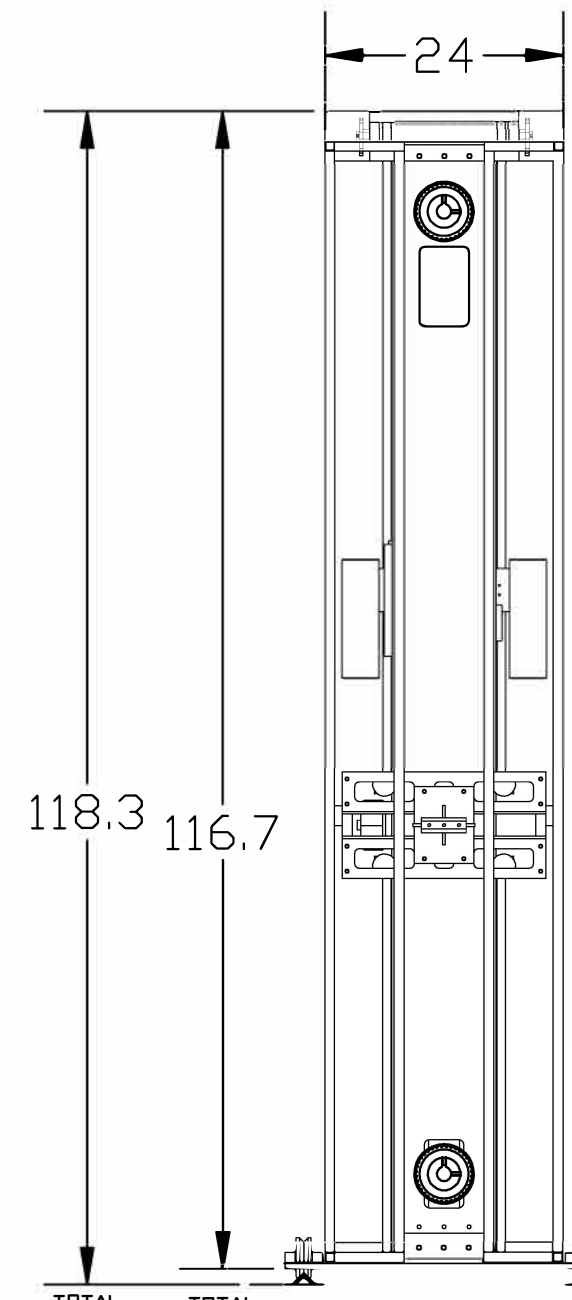
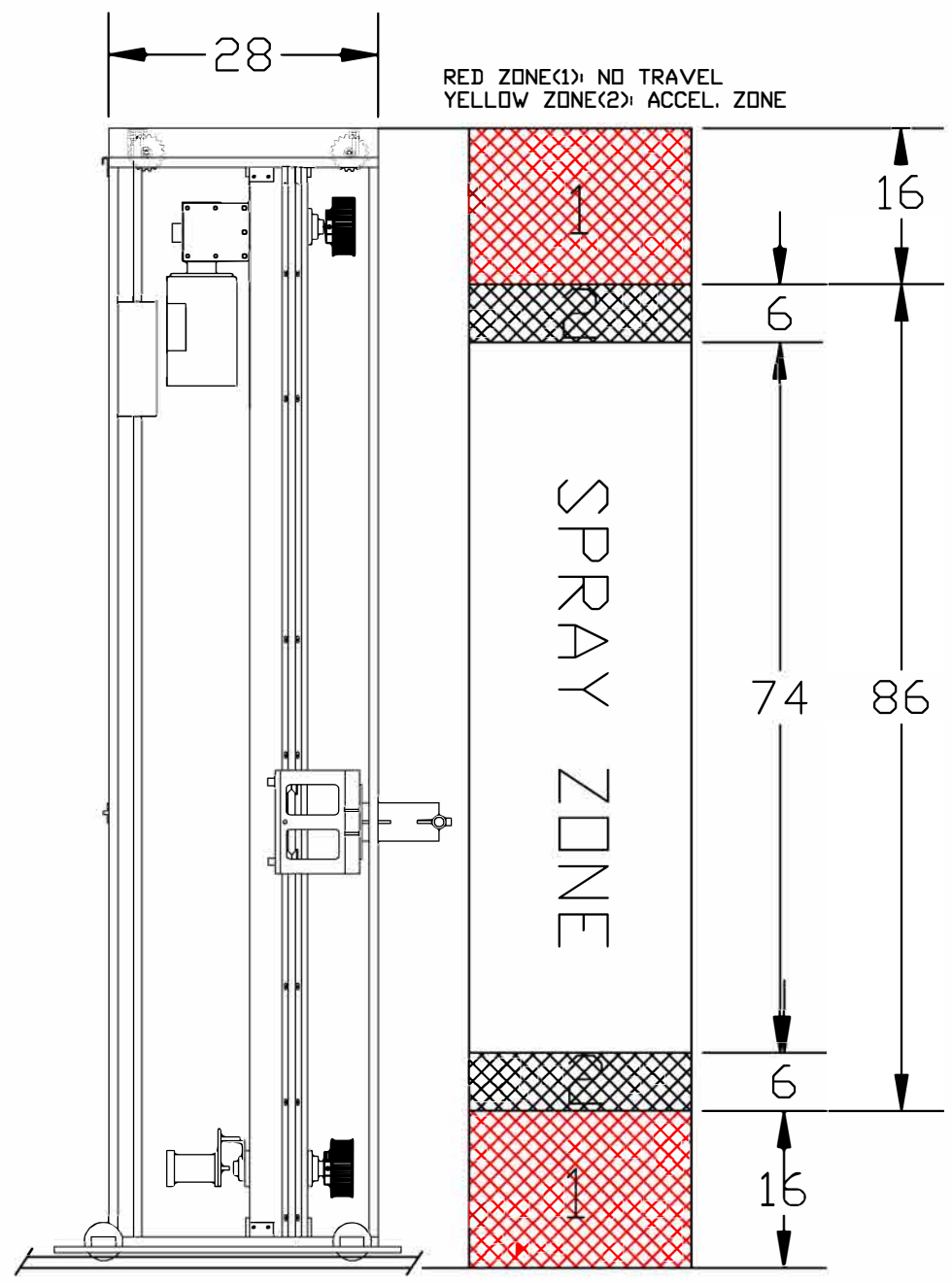
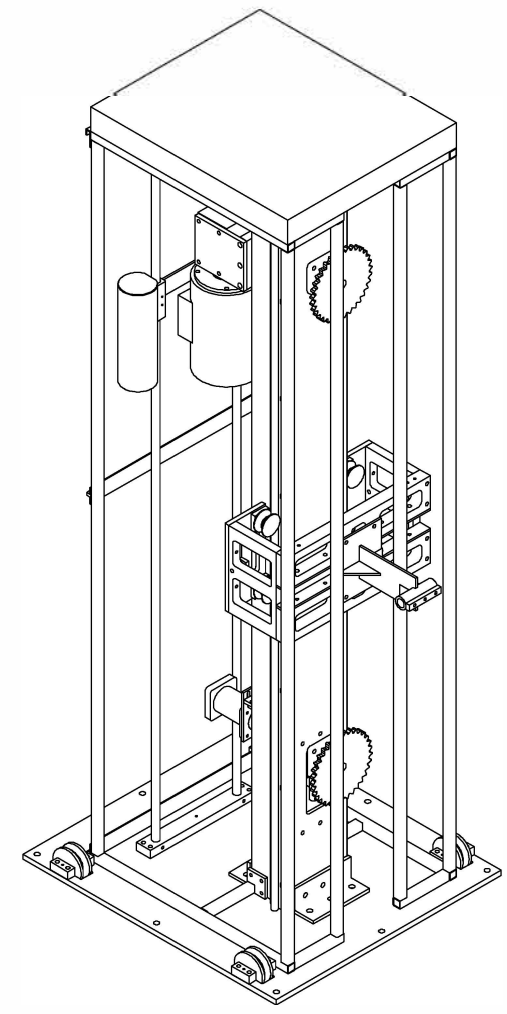


5-48 IN/S
86" STROKE
CENTER TO CENTER
1 HP MOTOR



TOTAL HEIGHT WITH WHEELS
TOTAL HEIGHT WITHOUT WHEELS

1 1/2" ANGLE

C		JJD	8/22/05
LTR	DESCRIPTIONS	ECD	DATE
REVISIONS			
SCALE 1=1	FINISH NONE	CONFIDENTIAL	
MATERIAL CR STEEL	FORMAT LT98/ACad14	THIS DRAWING SHALL BE USED ONLY AS ISSUED BY AUTOCAD. NO OTHER USE, REPRODUCTION OR MODIFICATION IS PERMITTED WITHOUT WRITTEN PERMISSION BY PROVIDER.	
TOLERANCE +-.005	TITLE AQ 75" STROKE RECIP		
DRAWING TECH MDY	SHEET 00 OF 1	SIZE B	DRAWING NUMBER 5526-30-00C
DATE 5/18/05			SERIES C