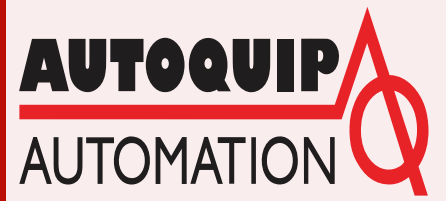


AUTOQUIP 3099-0520-00

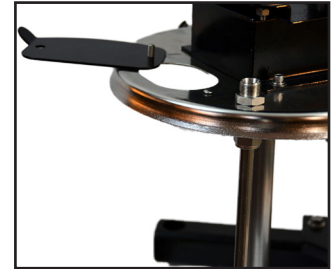
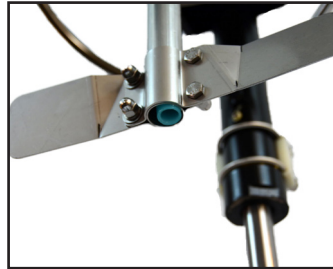
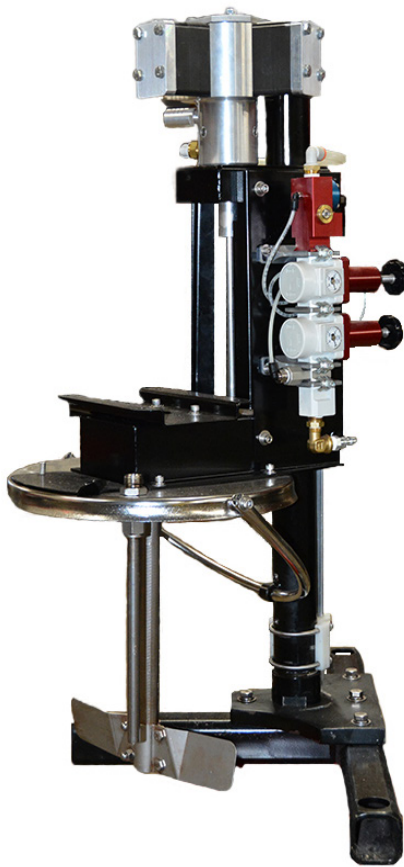
ERGONOMIC 5 GALLON PAIL LIFT SYSTEM



3099-0520-000 - 5 Gallon Pail System without Air Motor

3099-0520-001 - 5 Gallon Pail System with Air Motor

3099-0520-002 - 5 Gallon Pail System with Air Motor and Air Flow Control



Simple and Flexible Five Gallon Pail Lift System

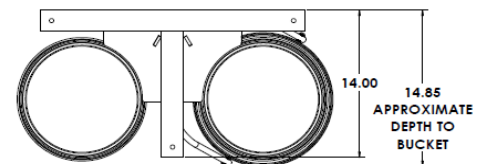
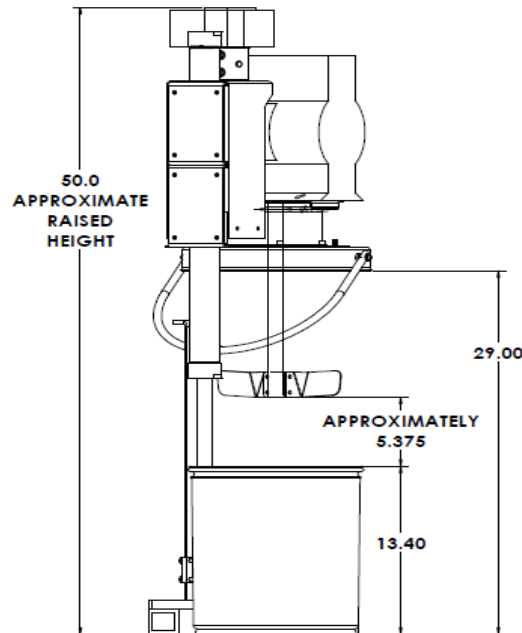
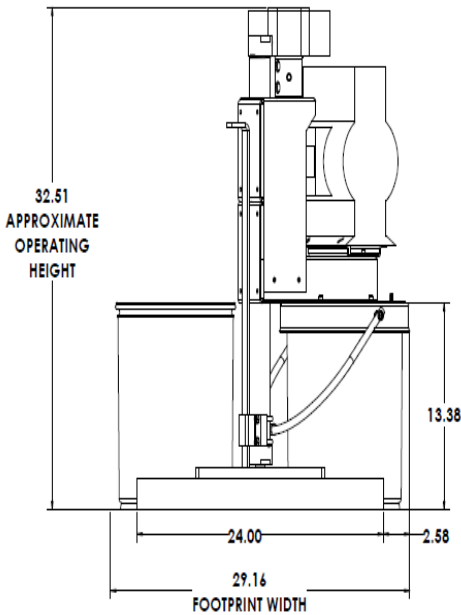
- **Free standing base for portable use**
- **Full pail width center feed 10 inch mixing blade**
- **Center feed fluid suction tube**
- **Dual pail positive lock system**
- **Mounting provided for air motor and air flow control**
- **Easy access for agitator and lifting speed control**

Standard Features:

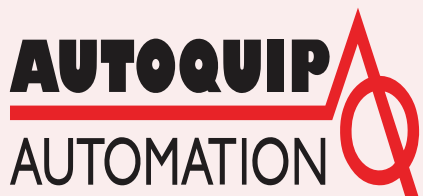
- Simple clean mechanical design
- Air flow control for agitator speed
- Ultra-low air consumption
- Elevator lift reduces ergonomic issues
- Heavy duty base allows centering of two pails
- Versatile pump mounting system adapts to diaphragm or piston pumps
- Large center feed blending blade and slow speed reduces process issues

Options:

- 3076-00-00A Optional Speed Control Regulator
- 3077-AM20-000 Optional Air Motor



Note: Pumps sold separately. Please contact your AQ sales representative at 262-781-6133 for more info.



www.aqautomation.com

N57W13430 Reichert Avenue
Menomonee Falls, WI 53051
Tel. 262-781-6133 Fax 262-781-6188
sales@aqautomation.com