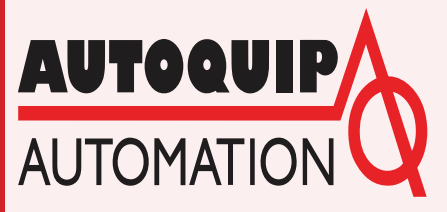


Poppet Color Valve with 3066 Non-Piggable Color Stacks

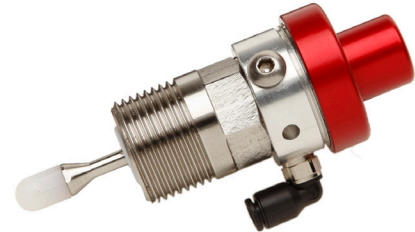


Standard Features

- Valve can be removed with feed lines attached
- Manifolds are used for single On/Off control of fluids including dump valves and solvent feeds
- Easily mountable using NPT threads or block mounting holes
- 1/4" NPT ports standard, larger options available on request
- Uses Autoquip's standard stainless steel cartridge valve

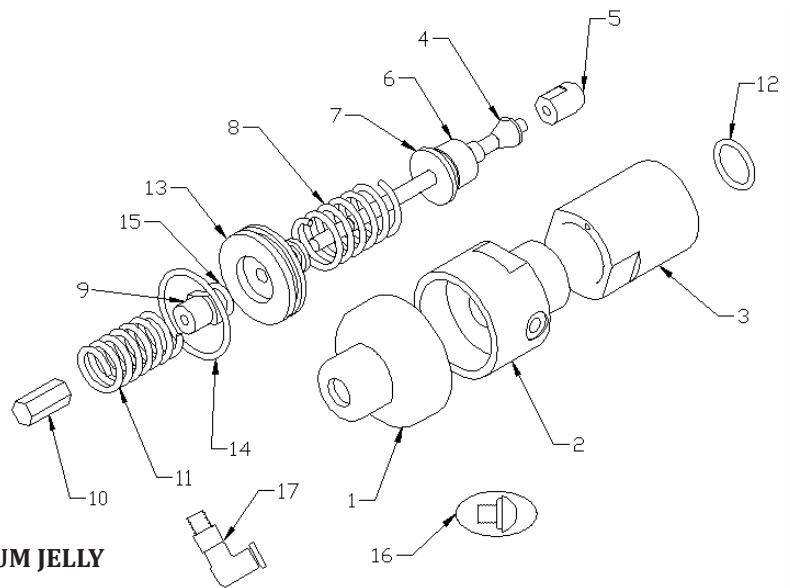
Technical Specifications

- Fluid Operating Pressure: 300 PSI max (20.68 bar max)
- Air Actuating Pressure: 75-120 PSI (5.2-8.3 bar)
- Trigger Tube Size: 5/32 OD (4mm)
- Fluid Tube Inlet Fitting: Connection Size 1/4" NPT(F)
- Average Flow Rate: 2000cc/min @ 80 psi and 50 centipoise
- Wetted Parts: 304 & 316 stainless steel, Teflon®, Delrin, UHMW



Item # Description

4+	Valve Shaft
5*	Plunger Head (w/ Loctite® 271 to fasten)
6*	Packing
7+	Packing Washer
12*+	Seal O-Ring (Teflon)
13+	Piston
14*	Top Piston O-Ring (Bun A-N)
15*	Bottom Piston O-Ring (Bun A-N)
16*	Plug



*Included in Repair Kit #3066-50-00A

+WHEN REBUILDING VALVE, LUBRICATE WITH PETROLEUM JELLY

Accessories

Description	Part Number
Repair Kit	3066-50-00A
Setting Gauge	3066-50-01B

AQ Non-Piggable Single Color Valve Stacks

CV 3066- SS-

A	B	C	D	E	F	G
6	1	1	3	0	0	1

Description Example:

CV 3066-SS-6-113001

Number of Colors: 6, Inlet Size: 1/4", Outlet Size: 1/4" NPT (f), Flush block: Solvent and Air, Flush Accessories: None, Mounting Bracket: 1

"A" Number of Colors

XX = Enter Number of Colors

"G" Mounting Bracket(s)

0 = None

1 = 1

2 = 2

"B" Inlet Size

1 = 1/4"

2 = 3/8"

3 = 1/2"

"C" Outlet Size

1 = 1/4" NPT (f)

2 = 3/8" NPT (f)

3 = 1/2" NPT (f)

"D" Flush Blocks

0 = None

1 = Solvent Only

2 = Air Only

3 = Solvent and air

"E" Check Valves

0 = None

1 = Solvent Check Valve

2 = Air Check Valve

3 = Solvent and Air Check Valve

"F" Flush Accessories

0 = None

1 = Air Flush Regulator

2 = Solvent Flush Regulator

3 = Air and Solvent Flush Regulators

