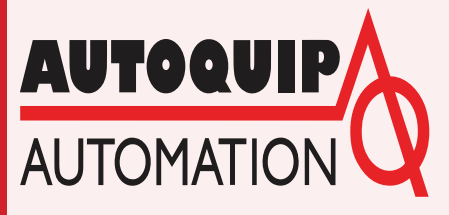


Poppet Color Valve with 3066 Piggable Color Stacks

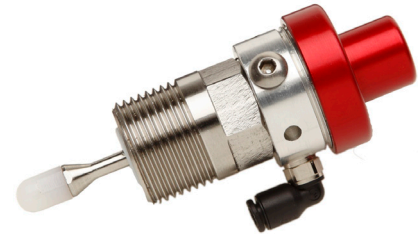


Standard Features

- Valve can be removed with feed lines attached
- Manifolds are used for single On/Off control of fluids including dump valves and solvent feeds
- Easily mountable using NPT threads or block mounting holes
- 1/4" NPT ports standard, larger options available on request
- Uses Autoquip's standard stainless steel cartridge valve

Technical Specifications

- Fluid Operating Pressure: 300 PSI max (20.68 bar max)
- Air Actuating Pressure: 75-120 PSI (5.2-8.3 bar)
- Trigger Tube Size: 5/32 OD (4mm)
- Fluid Tube Inlet Fitting: Connection Size 1/4" NPT(F)
- Average Flow Rate: 2000cc/min @ 80 psi and 50 centipoise
- Wetted Parts: 304 & 316 stainless steel, Teflon®, Delrin®, UHMW

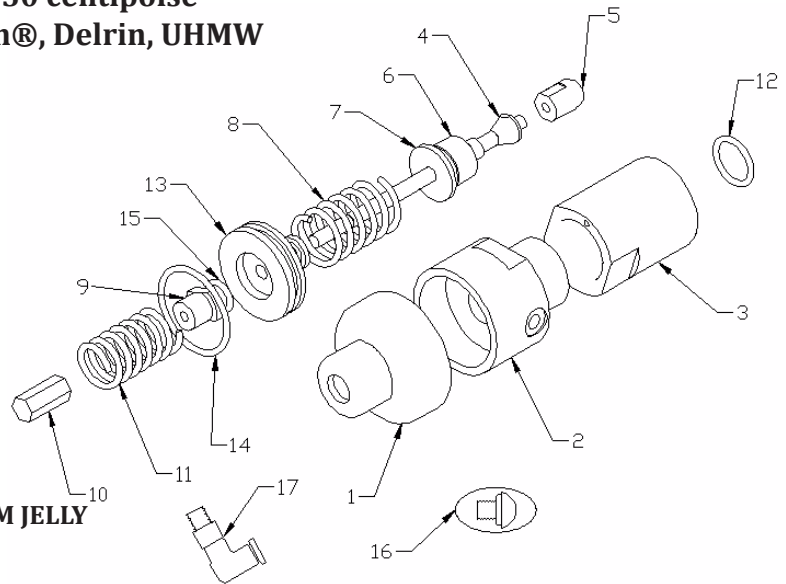


Item # Description

4+	Valve Shaft
5*	Plunger Head (w/ Loctite® 271 to fasten)
6*	Packing
7+	Packing Washer
12*+	Seal O-Ring (Teflon)
13+	Piston
14*	Top Piston O-Ring (Bun A-N)
15*	Bottom Piston O-Ring (Bun A-N)
16*	Plug

*Included in Repair Kit #3066-50-00A

+WHEN REBUILDING VALVE, LUBRICATE WITH PETROLEUM JELLY



Accessories

Description	Part Number
Repair Kit	3066-50-00A
Setting Gauge	3066-50-01B

For customers who employ circulation systems, numerous painting stations, and need to change coatings often, Autoquip offers a unique "Piggable" color change system.

Our Piggable circulation/color change system differs from a conventional system during the flushing of the circulation pipe. In a conventional circulation system, the flushing starts with an air blast chasing some of the coating from the tube, followed by pumping many gallons of flush solvent to remove the remaining coating. Autoquip's "Piggable" circulation system introduces a foam plug "Pig" to shove nearly all of the coating out of the pipe in one quick operation.

In a "Piggable" system each color pipe employs a pumping module, pig launcher, and pig receiver. The system greatly reduces flushing waste and required color-change time by recovering around 96% of the coating each color change - normally consuming less than 1 gallon of solvent per flush/load cycle.

AQ Piggable Color Valve Price Analysis

A	B	C	D	E	F	G	H
---	---	---	---	---	---	---	---

CV 3096 -

2	4	2	1	15	2	1	2
---	---	---	---	----	---	---	---

Description Example:

CV 3096-2423-15-212

Color Valve Block Type: Double Piggable,
Inlet Size: 1", Wall Thickness: 0.065",
Connection Type: Sanitary, Number of Color
Valves: 15, Flush Blocks: Air Only, Outlet
Size: 1/4" NPT, Mounting Bracket: 2

Color Valve

Color Valve Block Type "A"

- 1 = Single Piggable (Single Path)
- 2 = Double Piggable (Dual Path)

Inlet Size "B"

- 1 = 1/2"
- 2 = 5/8"
- 3 = 3/4"
- 4 = 1"

Wall Thickness "C"

- 1 = 0.049"
- 2 = 0.065"

Connection Type "D"

- 1 = Sanitary
- 2 = Tube Stub

Number of Colors "E"

XX = Enter Number of Colors

Flush Blocks "F"

- 0 = No
- 1 = Solvent Only
- 2 = Air Only
- 3 = Solvent and air

Outlet Size "G"

- 1 = 1/4" NPT (f)
- 2 = 3/8" NPT (f)

Mounting Bracket(s) "H"

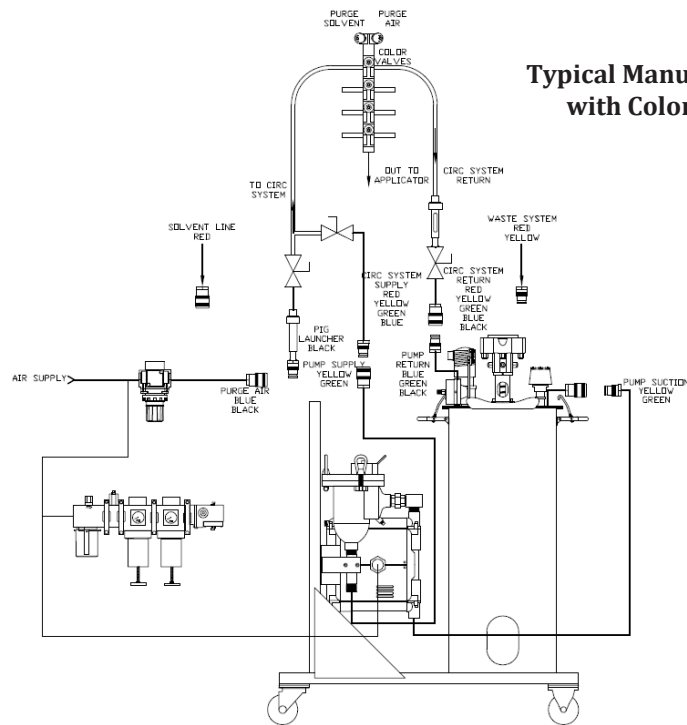
- 1 = None

Standard Features

- Greatly reduces flushing waste
- Cut color change time
- Wide variety of sizes available
- Air tight, efficient system
- Quick disconnect settings
- Work with existing non-piggable color change systems.
- Stainless steel wetted components

Options

- Multiple port sizes available for varying length circulation systems
1/2", 5/8", 3/4" and 1" typical
- Available in sanitary or compression fittings



Typical Manual System
with Color Stack