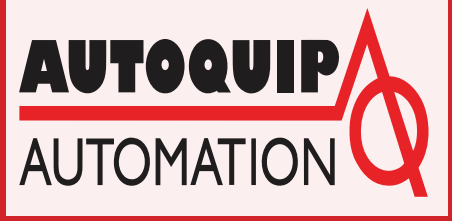


Catalyst Poppet Color Valve

#3066-DE41-000

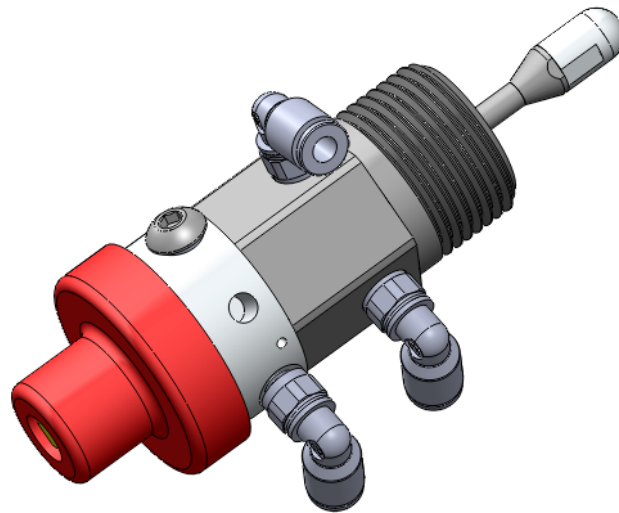


Application Description

Autoquip's poppet valve product line has added a newly developed valve for the paint production line that requires the use of moisture sensitive catalyst or any other moisture sensitive material. The newly designed valve protects the inner packing and springs from the crystallized byproduct that accumulates when sensitive catalyst comes in contact with plant air that is not cooled to a minimum of -40°F atmospheric dew point.**

This is accomplished by introducing the above specified dry air into an enlarged valve body cavity that buffers the catalyst and the inner components that are typically affected. Disposable Inline Filter/Desiccant Dryer can be provided by Autoquip if your plant air does not meet the minimum dew point specifications.

**Refer to Paint manufacturers TDS for information on coating material.



Conversion Kit

The newly designed valve incorporates several of the same standard products used in the AQ poppet valve that is installed in numerous plants around the world. Customers can purchase the completed 3066-DE41-000 valve assembly or can convert a standard poppet valve 3066-41-00A using the 3066-DE50-200 conversion kit.

Repair kits for the 3066-DE41-000 can be purchased using PN 3066-DE50-100

Technical Specifications

Maximum recommended input pressure of 125 psi

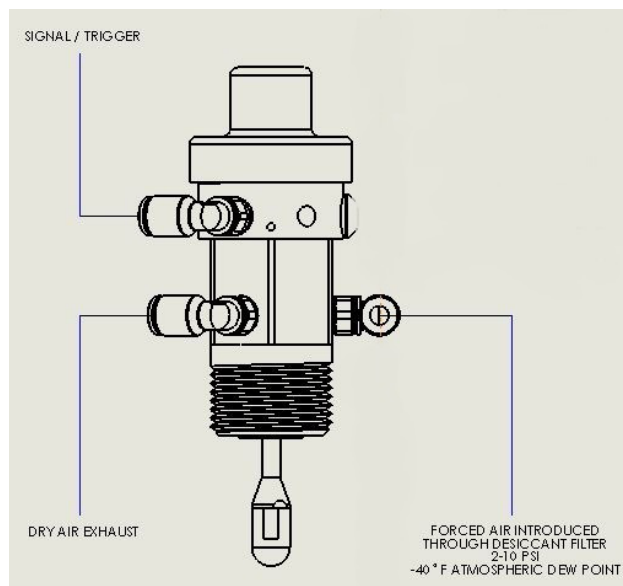
*Minimum of -40°F atmospheric dew point recommended

Wetted Parts:

- * 304 Stainless Steel
- * Teflon®
- * UHMW Polyethylene

Loctite® is a registered trademark of the Loctite Corporation.

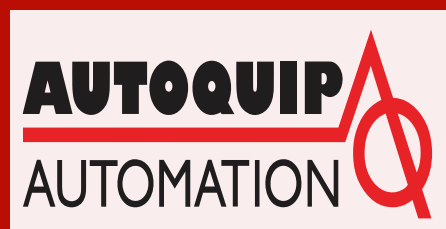
Teflon® is a registered trademark of the DuPont Company.



Options

| | |
|---------------------------------|---------------|
| Repair Kit | 3066-DE50-100 |
| Conversion Kit | 3066-DE50-200 |
| Setting Gauge | 3066-50-01B |
| Desiccant Filter Kit* | 3066-DE41-19A |
| *includes filter and 5/32" hose | |

*Please contact your local Autoquip Distributor (www.aqautomation.com/where-to-buy) or AQ sales representative at 262-781-6133 for more information.



www.aqautomation.com

N57W13430 Reichert Avenue
Menomonee Falls, WI 53051
Tel. 262-781-6133 Fax 262-781-6188
sales@aqautomation.com