

# INSTRUCTIONS – PARTS LIST

**INSTRUCTIONS!**

This manual contains important warnings and information.

**READ AND KEEP FOR REFERENCE.**



**Autoquip, Inc.**

## Gun Flush Box

3065-GF-00A



---

**AUTOQUIP, INC.**

**N57 W13430 REICHERT AVENUE, MENOMONEE FALLS, WI 53051**

©COPYRIGHT 2009, AUTOQUIP, INC.

# Table of Contents

Warnings.....	2,3	Accessories.....	14
Installation.....	4,5	Dimensions.....	15
Operation.....	6,7,8	Technical Data.....	16
Parts.....	9,10,11,12,13	Warranty.....	17

## Symbols

### Warning Symbol



This symbol alerts you to the possibility of serious injury or death if you do not follow the instructions.

### Caution Symbol



This symbol alerts you to the possibility of damage to or destruction of equipment if you do not follow the instructions.

## **WARNING**

### **EQUIPMENT MISUSE HAZARD**

Equipment misuse can cause the equipment to rupture or malfunction and result in serious injury.

- This equipment is for professional use only.
- Read all instruction manuals, tags, and labels before operating the equipment.
- Use the equipment only for its intended purpose. If you are not sure, call your Autoquip distributor.
- Do not alter or modify this equipment. Use only genuine Autoquip parts.
- Check equipment daily. Repair or replace worn or damaged parts immediately.
- Use fluids and solvents that are compatible with the equipment wetted parts. Refer to the **Technical Data** section of all equipment manuals. Read the fluid and solvent manufacturer's warnings.
- Always wear protective eyewear, gloves, clothing, and respirator as recommended by the fluid and solvent manufacturer.
- Comply with all applicable local, state, and national fire, electrical, and safety regulations.

### **HAZARDOUS VAPORS**

Hazardous fluids or toxic fumes can cause serious injury or death if splashed in the eyes or on the skin, swallowed, or inhaled. When flushing the air motor, keep your face away from the exhaust port.

 **WARNING****FIRE AND EXPLOSION HAZARD**

Improper grounding, poor ventilation, open flames, or sparks can cause a hazardous condition and result in a fire or explosion and serious injury.

- Ground the equipment and the object being sprayed. Refer to **Grounding** on page 5.
- If there is any static sparking or you feel an electric shock while using the equipment, **stop spraying immediately**. Do not use the equipment until you identify and correct the problem.
- Do not use 1,1,1-trichloroethane, methylene chloride, other Halogenated hydrocarbon solvents, or fluids containing such solvents in aluminum components. Such use could result in a serious chemical reaction, with the possibility of explosion.
- Do not use kerosene or other flammable solvents or combustible gases to flush the unit.
- Provide fresh ventilation to avoid the buildup of flammable fumes from solvents or the fluid being sprayed.
- Keep the spray area free of debris, including solvent, rags, and gasoline.
- Before operating this equipment, electrically disconnect all equipment in the spray area.
- Before operating this equipment, extinguish all open flames or pilot lights in the spray area.
- Do not smoke in the spray area.
- Do not turn on or off any light switch in the spray area while spraying or while there any fumes in the air.
- Do not operate a gasoline engine in the spray area.

**INJECTION HAZARD**

Spray from the gun, hose leaks, or ruptured components can inject fluid into your body and cause extreme serious injury, including the need for amputation. Splashing fluid in the eyes or on the skin can cause serious injury.

- Fluid ejected into the skin might look like just a cut, but it is a serious injury. **Get immediate medical attention**.
- Do not point the spray gun at anyone or at any part of the body.
- Do not put hand or fingers over the spray tip.
- Do not stop or deflect fluid leaks with your hand, body, glove, or rag.
- Tighten all fluid connections before operating the equipment.
- Check the hoses, tubes, and couplings daily. Replace worn, damaged, or loose parts immediately. Permanently coupled hoses cannot be repaired; replace the entire hose.

**MOVING PARTS HAZARD**

Moving parts, such as the rotating blades of the agitator, can pinch or amputate your fingers or other body parts and can cause splashing in the eyes or on the skin.

- Keep clear of all moving parts when starting or operating the agitator.
- Always shut off the agitator and disconnect the air or electric power line before adjusting the angle of the agitator, removing the agitator from the drum or tank, or checking or repairing any part of the agitator.

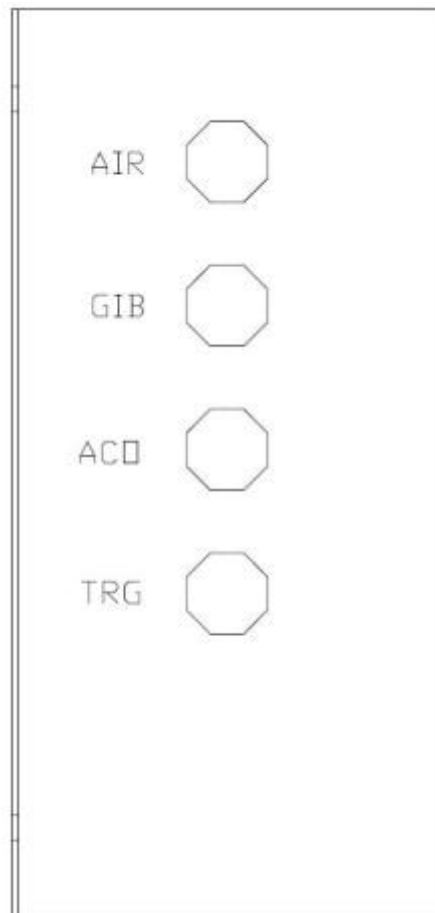
United States Government safety standards have been adopted under the Occupational Safety and Health Act. You should consult these standards – particularly the General Standards, Part 1910, and the Construction Standards, Part 1926.

# Technical Data

Maximum Inlet Pressure: 100PSI

Materials: Stainless Steel, Aluminum, HDPE

## Installation



AIR: Supply Air

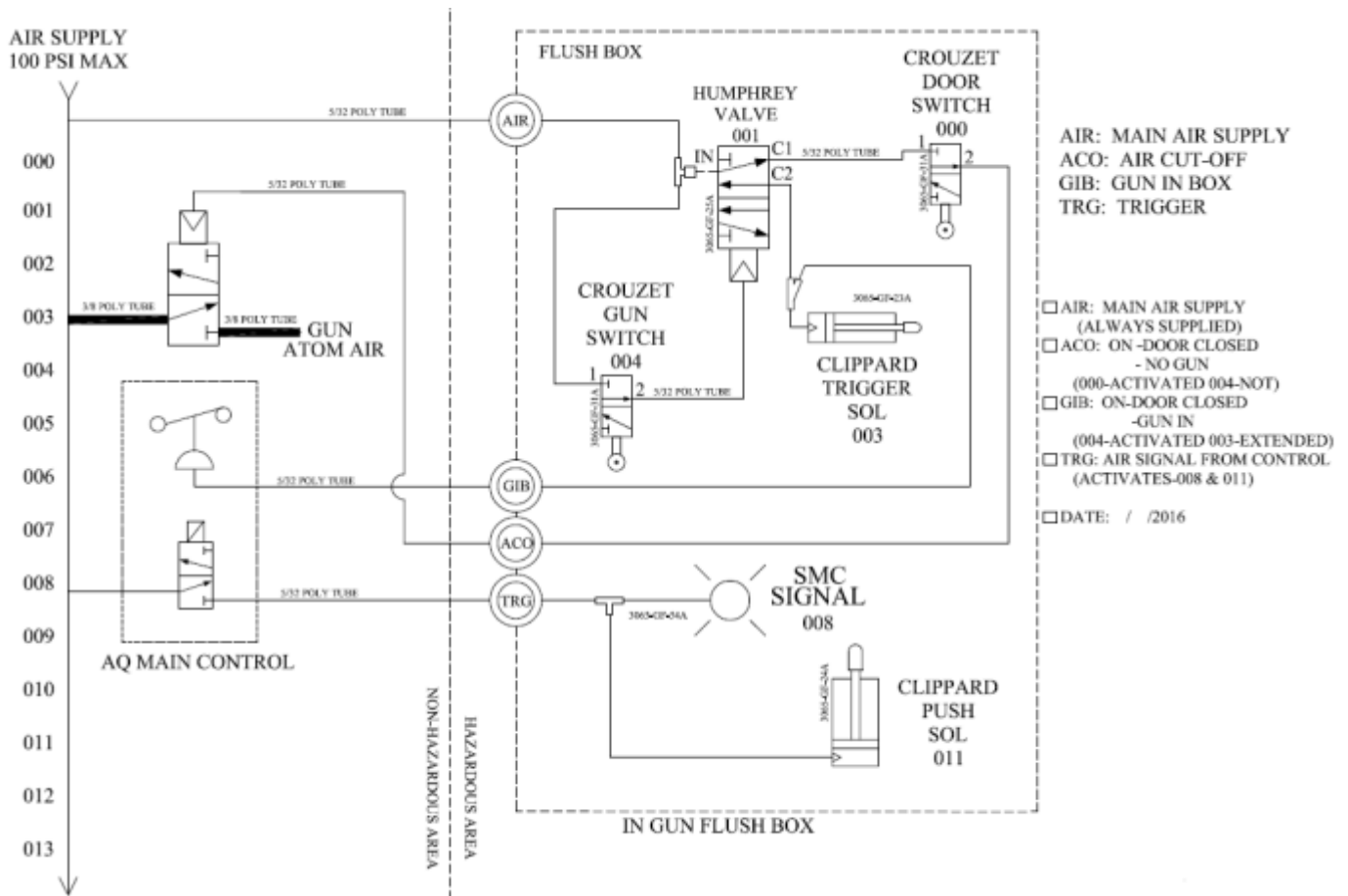
GIB: Gun-In-Box

ACO: Air Cut-off

TRG: Trigger

Attach 5/32" tubing from corresponding inlet/outlet on Gear Pump cabinet or Main Air Supply line to the AQ Gun Flush Box.

# Operation



**AIR:** Supply Air, Supplies the air to run the system

**ACO:** Air Cut-off, Turns off the Atomizing air flow to the gun when in the box the lid is closed and no gun is in the box.

**GIB:** Gun-In-Box, sends a signal to the system when a gun is in the box and the lid is closed.

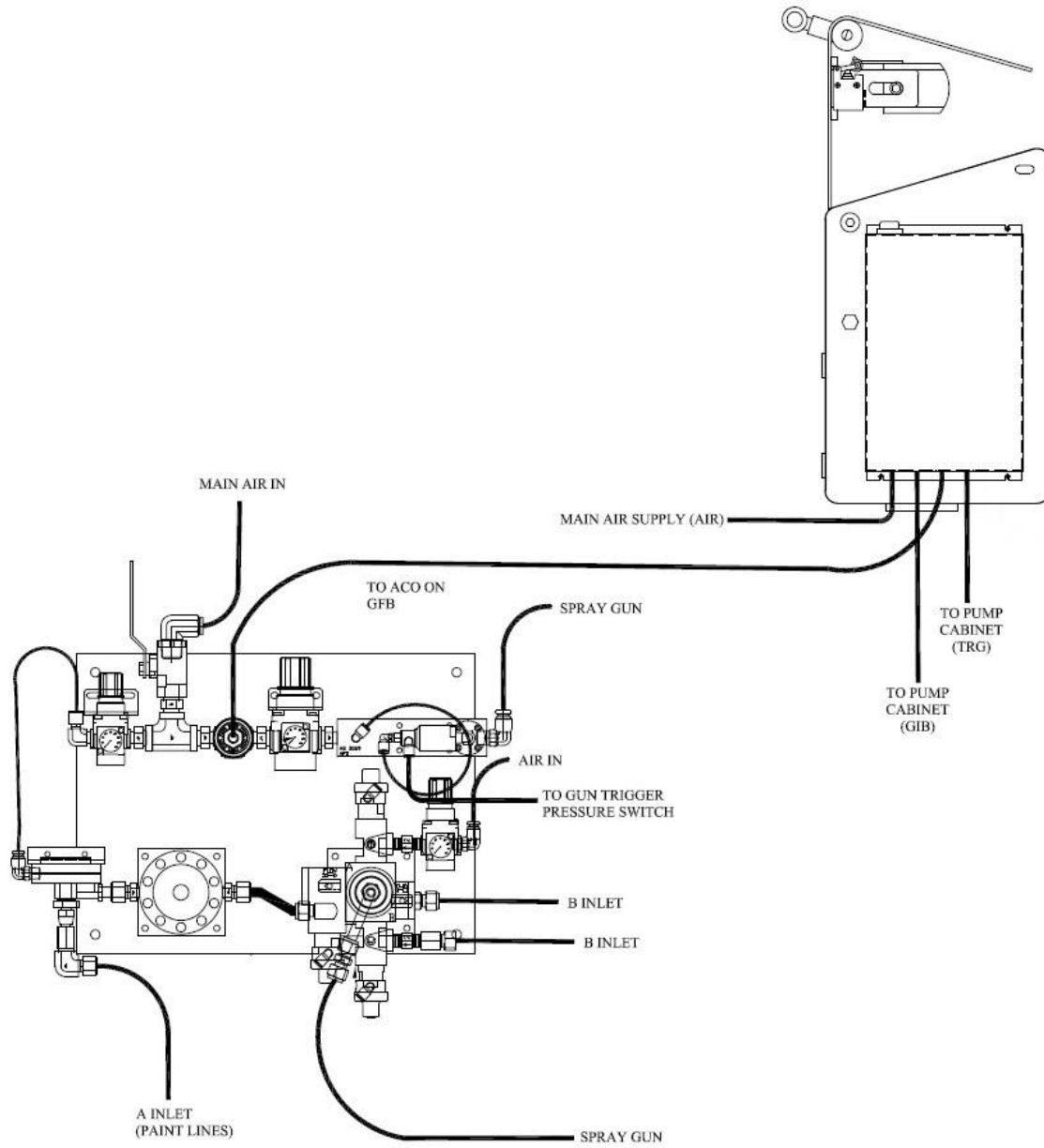
**TRG:** Trigger, Supply's pressure to the trigger solenoid forcing the gun to spray

Please refer to the notes below for field adjustments

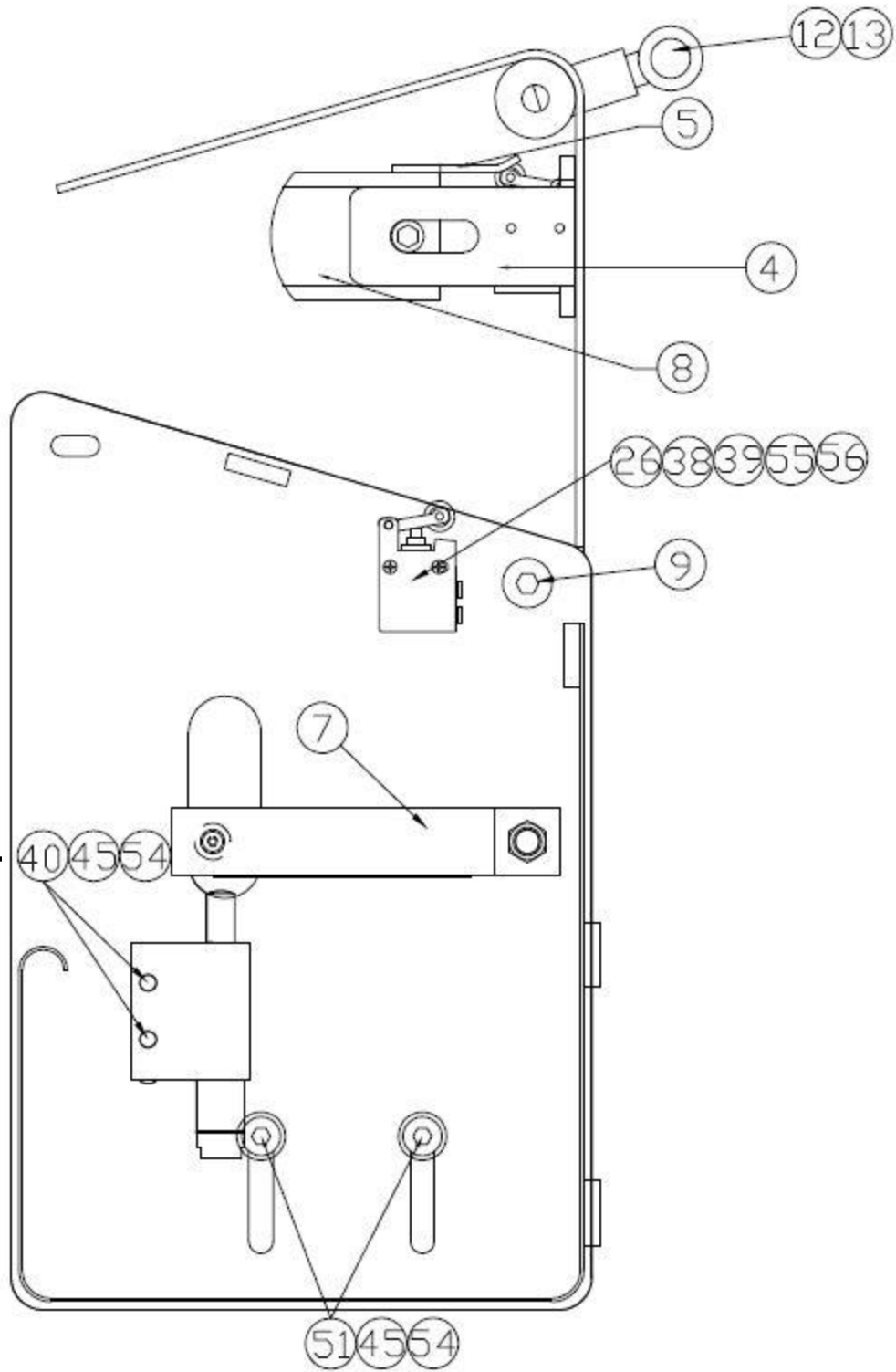
Note 1: Adjust spacer support (17) by moving 51, 45, and 54. See pages 7 and 9.

Note 2: Adjust block (6) by removing cover (2) and moving 40, 45 and 54. See pages 7 and 9.

Note 3: Adjust bracket (4) by moving 40, 45, and 54. See page 9.





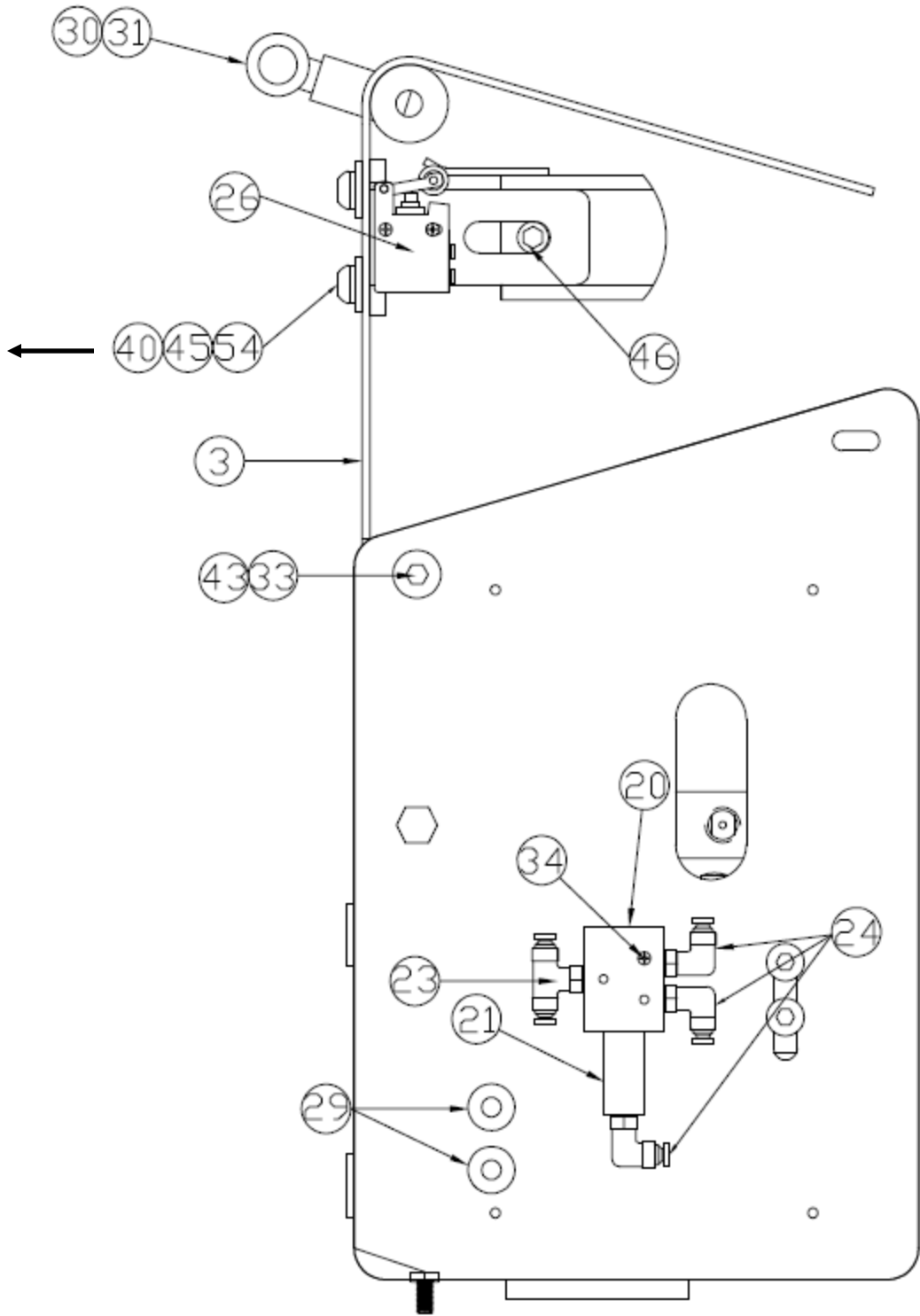


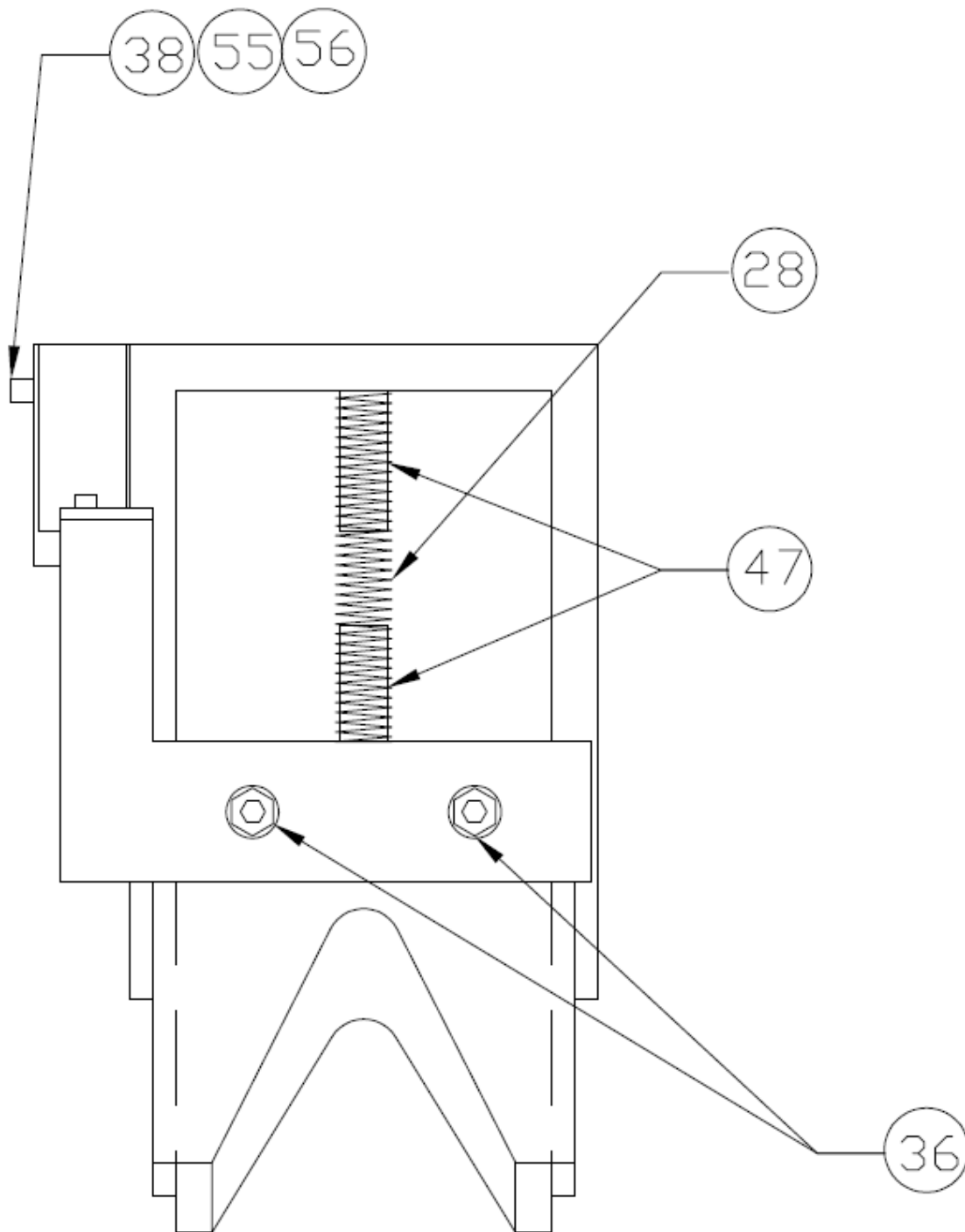
Note 2  
See page 5

Note 1  
See page 5



Note 3  
See page 5



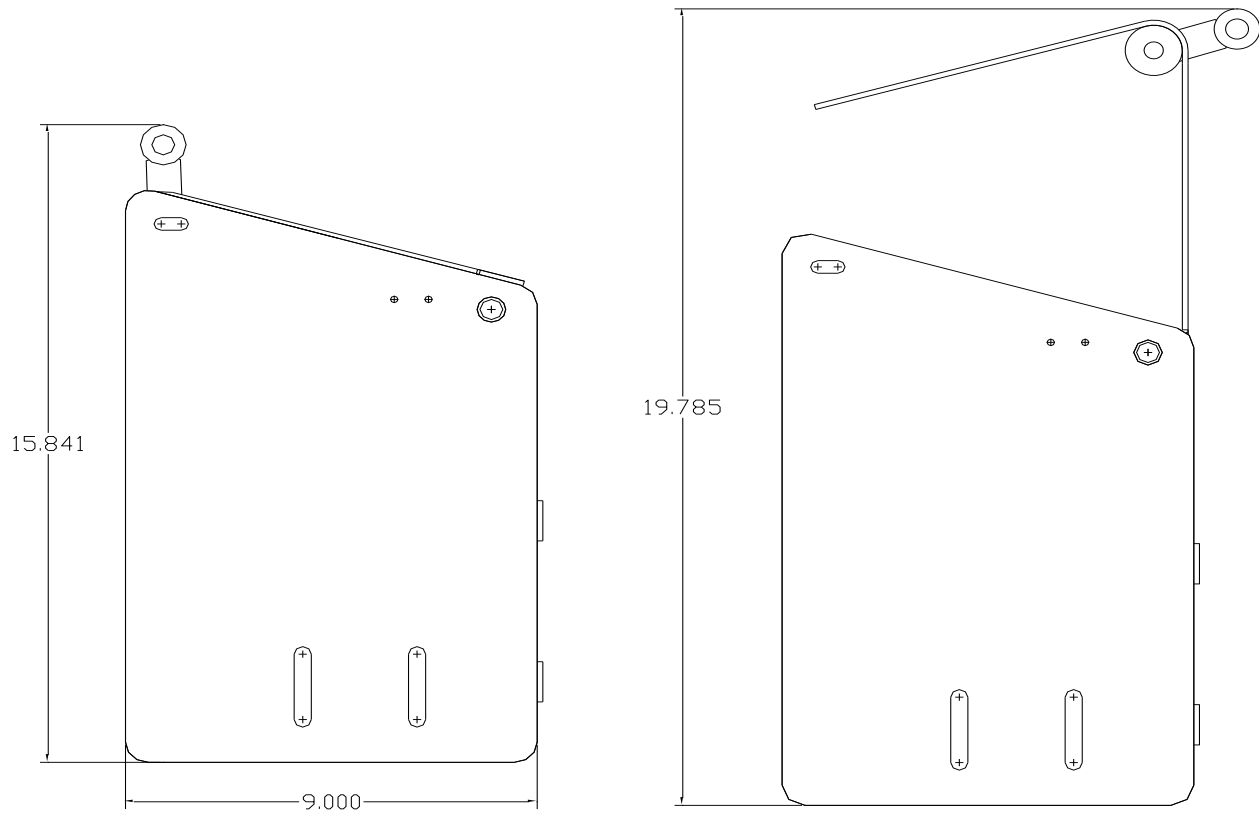


<b>ITEM NO.</b>	<b>PART NO.</b>	<b>DESCRIPTION</b>
1	3065-GB-00A	Gun Flush Body
2	3065-GF-04A	Cover
3	3065-GB-02A	Lid
4	3065-GB-03A	Bracket
5	3065-GF-08A	Toggle Plate
6	3065-GF-09A	Block
7	3065-GF-10A	Arm
8	3065-GF-11A	Gun Seat
9	3065-GF-12A	Hinge

<b>ITEM NO.</b>	<b>PART NO.</b>	<b>DESCRIPTION</b>
10	3065-GF-13A	Push Cap
11	3065-GF-14A	Trigger Cap
12	3065-GF-15A	Handle
13	3065-GB-05A	Handle Post Assembly
15	3065-GF-20A	Gun Support
16	3065-GF-21A	Spring Spacers
17	3065-GF-22A	Support Spacer
18	3065-GF-23A	Trigger Solenoid
19	3065-GF-24A	Push Solenoid
20	3065-GF-25A	Air Piloted Switch Valve
21	3065-GF-26A	Air Pilot
22		5/32" Tube Y Adaptor
23		5/32" Tube X 1/8" NPT Tee Fitting
24		5/32" Tube X 1/8" NPT Elbow
25		5/32" Tube X #10-32 Elbow
26	3065-GF-31A	Air Switch
27	3065-GF-32A	Torsion Spring Set
28	3065-GF-33A	Compression Spring
29	3065-GF-34A	Grommet
30	3065-GF-35A	S.S. Chain Connector
31	3065-GF-36A	S.S. Chain Link
32	3065-GF-37A	Spring Plunger
33		3/8"-16 x 1/2" BHCS
34		#6-32 x 7/8" SHCS
35	REMOVED	
36		#10-32 x 1/2" SHCS
37	REMOVED	
38		#8-32 x 1" SHCS
39		#8-32 Nut
40		5/16"-18 x 3/4" BHCS
41		#10-32 x 1/4" SHCS
42	REMOVED	
43		3/8" Washer
44		3/8"-16 Lock Nut
45		5/16" Lock Washer
46		5/16"-18 x 1/2" SHCS
47		1/4" x 1" S.S. Dowel
48	3065-GF-54A	Pressure Indicator
49		5/32" Tube Tee
50		5/32" Tube Bulkheads
51		5/16"-18 x 3" SHCS
52		5/32" Tube x 1/8" UNF Straight
53	REMOVED	
54		5/16" Flat Washer
55		#8-32 Lock Washer
56		#8-32 Flat Washer

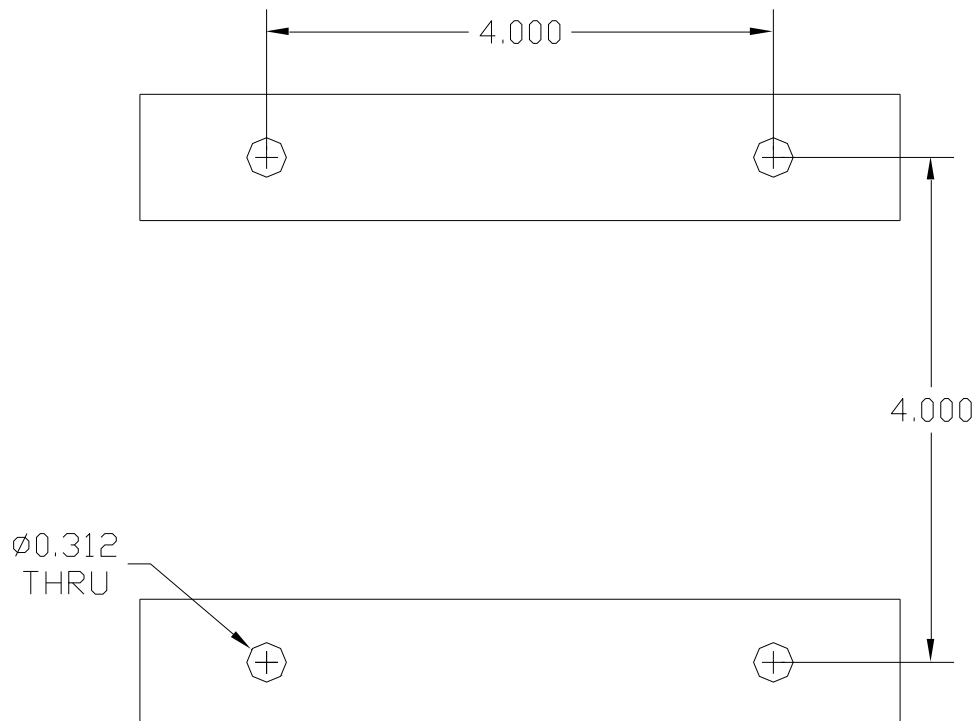
\* Optional spacing item as needed

# Dimensions



Width: 6.25

## MOUNTING HOLES



# Autoquip Standard Warranty

Autoquip Inc. warrants all equipment manufactured by Autoquip Inc. and bearing its name to be free from defects in material and workmanship on the date of sale by an authorized Autoquip Inc. distributor to the original purchaser for use. With the exception of any special, extended, or limited warranty published by Autoquip Inc., Autoquip Inc. will, for a period of twelve months from the date of sale, repair or replace any part of the equipment determined by Autoquip Inc. to be defective. This warranty only when the equipment is installed, operated, and maintained in accordance with Autoquip Inc.'s written recommendations.

This warranty does not cover, and Autoquip Inc. shall not be liable for general wear and tear, or any malfunction, damage, or wear and tear caused by faulty installation, misapplication, abrasion, corrosion, inadequate or improper maintenance, negligence, accident, tampering, or substitution of non-Autoquip Inc. component parts. Nor shall Autoquip Inc. be liable for malfunction, damage or wear caused by the incompatibility of Autoquip Inc. equipment with structures, accessories, equipment or materials not supplied by Autoquip Inc., or the improper design, manufacture, installation, operation or maintenance of structure, accessories, equipment or materials not supplied by Autoquip Inc.

This warranty is conditioned upon the prepaid return of the equipment claimed to be defective to an authorized Autoquip Inc. distributor for verification of the claimed defect. If the claimed defect is verified, Autoquip Inc. will repair or replace free of charge any defective parts. The equipment will be returned to the original purchaser transportation prepaid. If inspection of the equipment does not disclose any defect in material or workmanship, repairs will be made at a reasonable charge, which charges may include the costs of parts, labor, and transportation.

**THIS WARRANTY IS EXCLUSIVE, AND IS IN LIEU OF ANY OTHER WARRANTIES, EXPRESS OR IMPLIED, INCLUDING BUT NOT LIMITED TO WARRANTY OF MERCHANTABILITY OR WARRANTY OF FITNESS FOR A PARTICULAR PURPOSE.**

Autoquip Inc.'s sole obligation and buyer's sole remedy for any breach of warranty shall be set forth above. The buyer agrees that no other remedy (including, but not limited to incidental or consequential damages for lost profits, lost sales, injury to person or property, or any other incidental or consequential loss) shall be available. Any action for breach of warranty must be brought within two (2) years of the date of sale.

Autoquip Inc. makes no warranty, and disclaims all implied warranties of merchantability and fitness for a particular purpose in connection with accessories, equipment, material or components sold but not manufactured by Autoquip Inc. These items sold, but not manufactured by Autoquip Inc. (such as electric motors, switches, hose, etc.) are subject to the warranty, if any, from their manufacturer. Autoquip Inc. will provide purchaser with reasonable assistance in making any claim for breach of these warranties.

In no event will Autoquip Inc. be liable for indirect, incidental, special or consequential damage resulting from Autoquip Inc. supplying equipment hereunder, or the furnishing, performance, or use of any products or other goods sold hereto, whether due to breach of contract, breach of warranty, the negligence of Autoquip Inc., or otherwise.

## **FOR AUTOQUIP, INC. CANADA CUSTOMERS**

The parties acknowledge that they required that the present document, as well as all documents, notices and legal proceedings entered into, given or instituted pursuant hereto or relating directly or indirectly hereto, be drawn up in English. Les parties reconnaissent avoir convenu que la rédaction du présent document sera en Anglais, ainsi que tous documents, avis et procédures judiciaires exécutés, donnés ou intentés à la suite de ou en rapport, directement ou indirectement, avec les procédures concernées.

## Autoquip Phone Numbers

**TO PLACE AN ORDER**, contact your Autoquip distributor, or call this number to identify the distributor closest to you :  
(262) 781-6133

*All written and visual data contained in this document reflects the latest product information available at the time of publication.  
Autoquip reserves the right to make changes at any time without notice.*

**Sales Offices : MENOMONEE FALLS, WI (262) 781-6133**

AUTOQUIP, INC. N57 W13430 REICHERT AVENUE MENOMONEE FALLS, WI 53051  
<http://www.aqautomation.com>

PRINTED IN USA May 2009