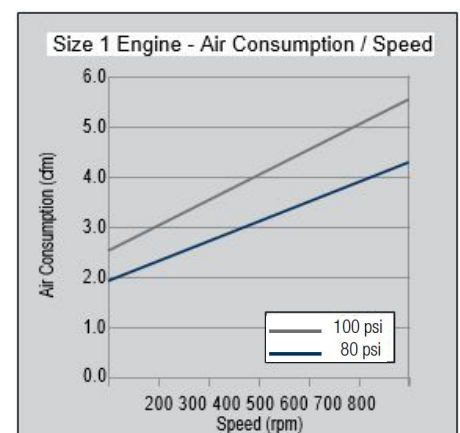
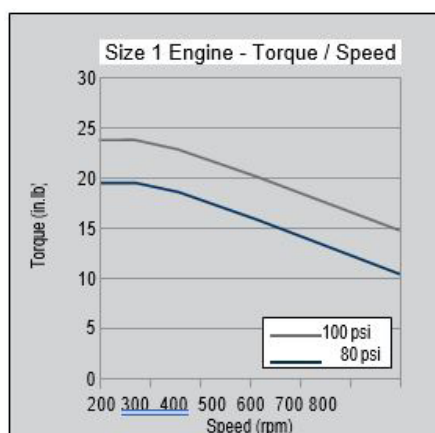
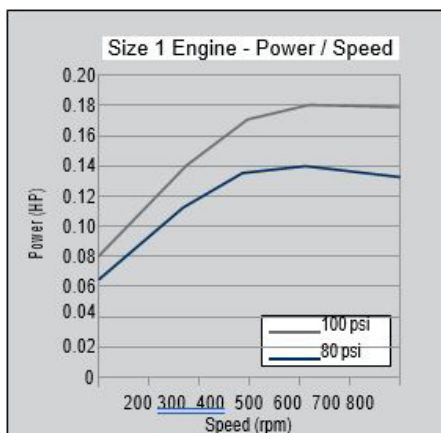


*Compressed air costing too much?
The Autoquip ECO-1M reduces air motor consumption up to 15 times
more than other brands*

- The #1 air engine has been developed for special applications
- Incorporates a highly efficient piston design that consumes less air
- Smoother and quieter operation
- Lube free design eliminates the need for oilers
- Durable cam design provides long life
- Closed loop RPM control available (see options on reverse side)
- Quick and easy servicing



AUTOQUIP 3077-HAE1-000

ECO-1M Piston Air Engine™

ECO-1 Technical Specifications

Environmental / Physical

Temperature Range: 14°F to 176°F (-10°C to 80°C)
Height: 5.276"
Diameter: 4.488"
Shaft Diameter : 0.394" (10 mm)
Weight: 3.3 lb (1.5 kg)

Pneumatic Connection

Air Input: 1/8" BSPP/UNI

Mechanical

Speed Range: 200 - 800 rpm

Maximum Input Pressure:

100 psi

Torque Output:

Torque at 200 rpm / 6.9 bar (100 psi) :24.7 in. lb (2.79 Nm)

Torque at 800 rpm / 6.9 bar (100 psi) :14.7 in. lb (1.66 Nm)

Max air consumption:

800 rpm / 6.9 bar : 5.70 ft³/min (9.7 m³/h)

Ordering Info

3077-HAE1-000

Accessories

3404-PL05-100
3077-RKT1-000
3077-INS1-000
3077-BSA1-000
3404-HAE1-050

includes: 3404-HAE1-051
3404-HAE1-052
JFI-1416-16

KQ2H07-U01A
3114-CLR3-000

Size 1 Air Engine - only



AQ 5 Gal Pail Lid with Agitator

Size 1 Rebuild Kit

Size 1 Installation Kit

Size 1 Body Sub-Assembly Kit

Size 1 (5) Gal Pail Lid Adapter for Graco/Binks

Size 1 Lid Mating Adapter

Size 1 Shaft Coupling 3/8" to 10MM

Flange Bearing

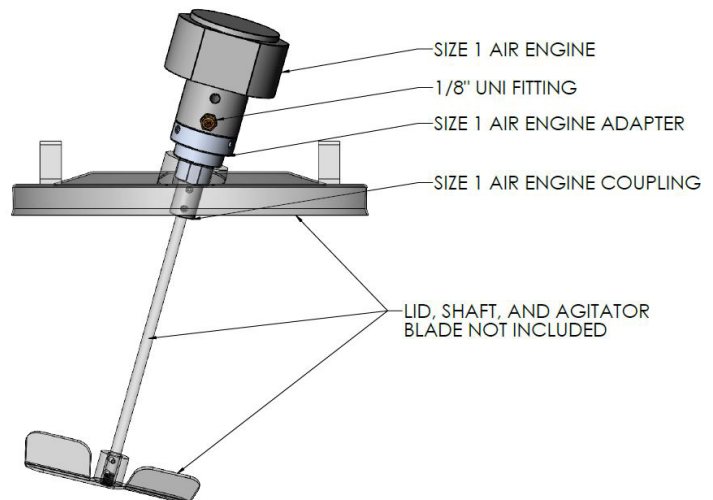
1/8" Uni Fitting, Male, Straight

3/8" Closed Loop RPM Control



5 Gallon Pail Conversion Kit:

3404-HAE1-000



Autoquip has a complete line of different sized air engines to match your speed and torque application requirements. (See website for other sizes)

www.aqautomation.com

N57W13430 Reichert Avenue
Menomonee Falls, WI 53051
Ph: 262-781-6133 • Fx 262-781-6188
sales@aqautomation.com

AUTOQUIP
AUTOMATION

