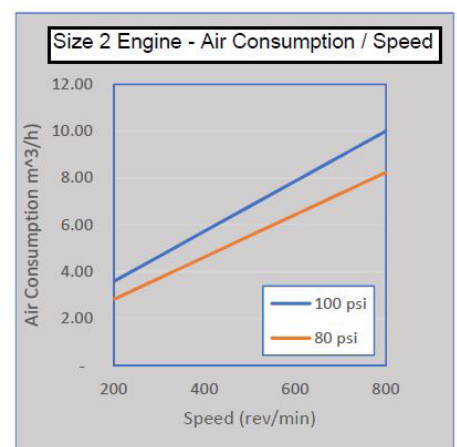
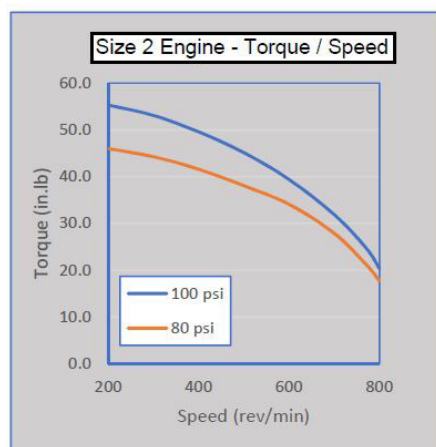
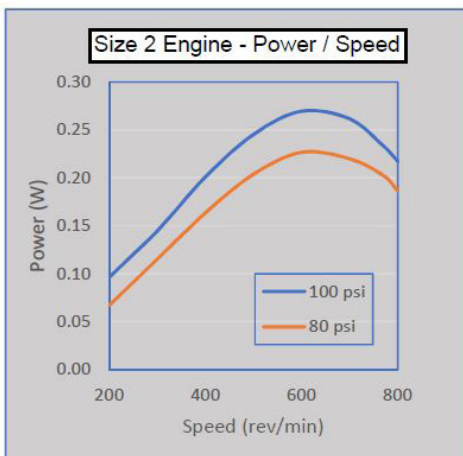


*Compressed air costing too much?
The Autoquip ECO-2M reduces air motor consumption up to 15 times
more than other brands*

- The #2 air engine has been developed for special applications
- Incorporates a highly efficient piston design that consumes less air
- Smoother and quieter operation
- Lube free design eliminates the need for oilers
- Durable cam design provides long life
- Closed loop RPM control available (see options on reverse side)
- Quick and easy servicing



AUTOQUIP 3077-HAE2-000

ECO-2M Piston Air Engine™



ECO-2 Technical Specifications

Environmental / Physical

Temperature Range:	14°F to 176°F (-10°C to 80°C)
Height:	6.226"
Diameter:	6.778"
Shaft Diameter :	0.5" (12.7 mm)
Weight:	4.35 lb (1.98 kg)

Pneumatic Connection

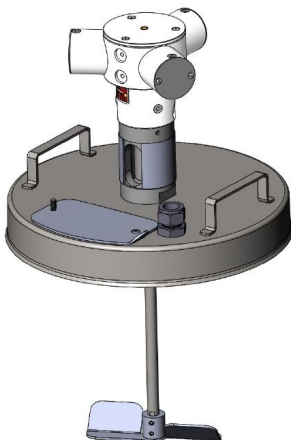
Air Input:	1/4" BSPP/UNI
------------	---------------

Mechanical

Speed Range:	200 - 800 rpm
Maximum Input Pressure:	100 psi
Torque Output:	Torque at 200 rpm/6.9 bar (100 psi) :55.3 in.lb (6.25 Nm)
	Torque at 800 rpm/6.9 bar (100 psi) :20.4 in.lb (2.3 Nm)
Max air consumption:	800 rpm / 6.9 bar : 10.01 ft ³ /min (17 m ³ /h)

AQ 5 Gallon Lid Assembly

3404-PL05-200



Ordering Info

3077-HAE2-000 Size 2 Air Engine - only

Accessories

3404-PL05-200	AQ 5 Gal Lid Assembly
3077-BP02-200	fits Binks 2 Gal Pressure Pot
3077-BP05-200	fits Binks 5 Gal Pressure Pot
3077-BP10-200	fits Binks 10 Gal Pressure Pot
3077-GP05-200	fits Graco 5 Gal Pressure Tank Agitator System
3077-GP10-200	fits Graco 10 Gal Pressure Tank Agitator System
3077-AQ05-200	fits AQ 5 Gal Mix Tank Agitator System
3077-AQ10-200	fits AQ 10 Gal Mix Tank Agitator System

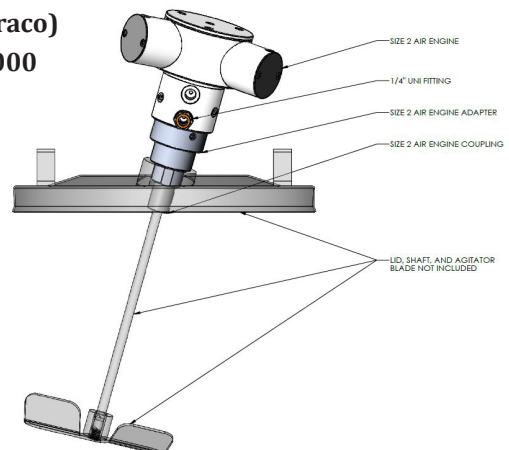
*Add Shaft Length and Blade for Proper Tank Size

3077-RKT2-000	Size 2 Rebuild Kit
3077-INST-000	Size 2 Installation Kit
3077-BSA2-000	Size 2 Body Sub-Assembly Kit
3404-HAE2-050	Size 2 (5) Gal Pail Lid Adapter for Graco/Binks
Includes: 3404-HAE2-051	Size 2 Lid Mating Adapter
3404-HAE2-052	Size 2 Shaft Coupling 3/8" to 1/2"
JFI-1416-16	Flange Bearing
KQ2H11-U02A	1/4" Uni Fitting, Male, Straight
3114-CLR3-000	3/8" Closed Loop RPM Control

5 Gallon Pail Conversion Kit

(for Binks/Graco)

3404-HAE2-000



Autoquip has a complete line of different sized air engines to match your speed and torque application requirements. (See website for other sizes)

www.aqautomation.com

N57W13430 Reichert Avenue
Menomonee Falls, WI 53051
Ph: 262-781-6133 • Fx 262-781-6188
sales@aqautomation.com

AUTOQUIP
AUTOMATION

