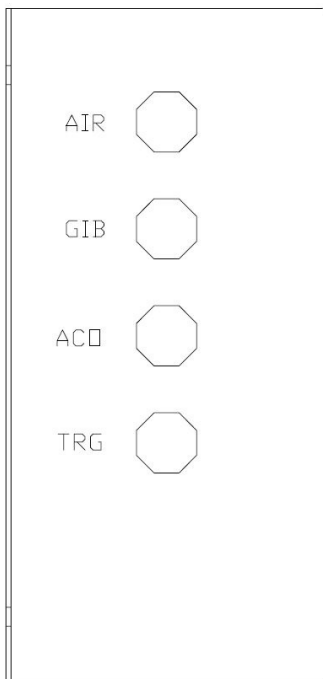


Autoquip's Gun Flush Box delivers a hands free color change system for manual operations that helps relieve ergonomic issues caused by manually engaging the gun trigger during color change. It is ideal for automatic waste collection of flushed materials.

Standard Features

- Gun saddles for all manual guns are available per customer specification.
- Made with electrostatic dissipative components that prevent anti-static sparking from electrostatic guns with proper grounding.
- An entirely all automatic color change for manual operation with preprogrammed color change timing available.
- Relieves ergonomic issues due to excessive time required to manually engage gun trigger during color change.
- Indicator provides operator signal when the color change is completed.



Air Connection Descriptions

AIR: Supply Air needed to operate the Gun Box. 75-100 psi(5-7 bar) required.

GIB: Air signal sent to the controller (GIB1, GIB2) when the spray gun is in the Gun Box and the lid is closed.

ACO: Triggers the Air Cut off (ACO) Valve at the Air Flow Switch. Enables/disables the spray gun's atomizing air.

TRG: Air signal used to trigger the spray gun in the closed box. Receives signal from system controller (TRG1, TRG2).

Requirements

- Model of manual spray gun
- HMI or pneumatic switch required for selecting color change sequence and new color
- Multiple gun flush boxes if using different manual spray guns
- Waste collection pail or tank



AUTOQUIP 3065

Gun Flush Box

Technical Specifications

Maximum Inlet Pressure: 100PSI

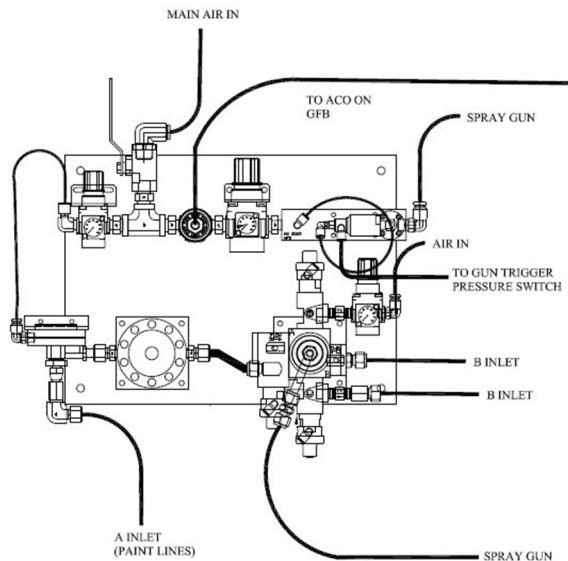
Materials: Stainless Steel, Aluminum, TIVAR® 1000 ESD

All pneumatic connections to the gun flush box are for 5/32" (4mm) OD tubing

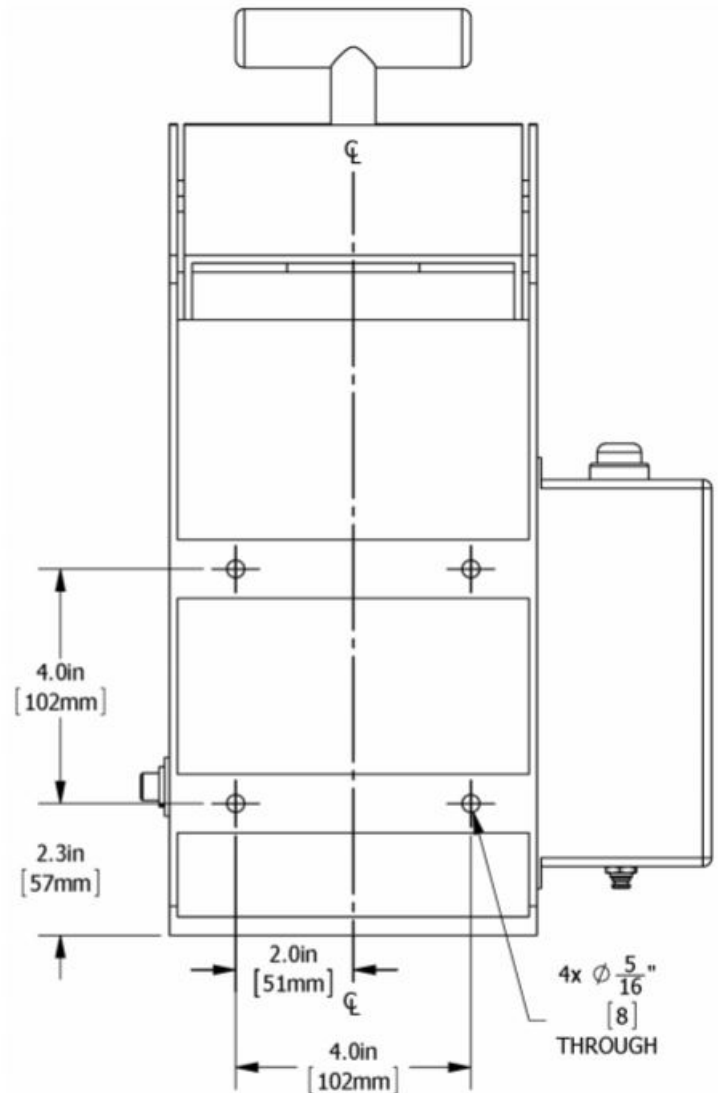
Mounting

Mount gun flush boxes to a sturdy metal stand, wall, or support that is connected to an earth ground. Conductive metal flushing/solvent waste container should be positioned directly below the flush box.

Mount box with 4 ea. 1/4" or 6mm diameter screws using dimensions shown at right. Remove the gun saddle from the box to make mounting easier.



Accessory - 3106-MGCP-000 Manual Gun Control Panel



Please contact your AQ sales representative at 262-781-6133 for more info.

www.aqautomation.com

N57W13430 Reichert Avenue
Menomonee Falls, WI 53051
Ph: 262-781-6133 • Fx 262-781-6188
sales@aqautomation.com

AUTOQUIP
AUTOMATION

