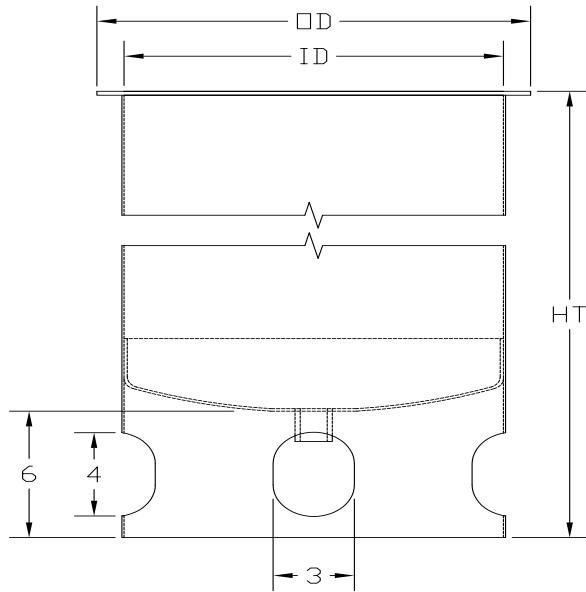


Dimensions



ALL DIMENSIONS IN INCHES

Size	Overall Ht	ID	OD	Tank capacities
5 Gallon	21"	14"	16"	8.9 U.S. gal (34 liter)
10 Gallon	27"	14"	16"	12.9 U.S. gal (49 liter)
15 Gallon	33"	14"	16"	16.9 U.S. gal (64 liter)
20 Gallon	39"	14"	16"	20.91 U.S. gal (79 liter)
30 Gallon	31"	20"	22.5"	31.79 U.S. gal (121 liter)
60 Gallon	39"	24"	27"	61.45 U.S. gal (233 liter)
80 Gallon	43"	26"	29"	81.3 U.S. gal (308 liter)

Larger tanks are available upon request. Please contact your AQ sales representative.

Technical Data

Standard Flat Lid Coupling Sizes

Top fluid outlet size: 3/4" NPT

Fluid return: 1/2" NPT

Flame arrestor: 1" NPT

Bottom outlet size: 3/4" NPT

Standard Dome Lid Coupling Sizes*

Top paint supply inlet size: 3/4" NPT

Air inlet with pressure relief: 1/2" NPT

Bottom outlet size: 3/4" NPT

Optional fill port 3/4" NPT

Manual fill/inspection port: 4" NPT

Additional Height Dimensions

Lid latch add 8"

Air engine add 11"

Level sensor add 9"

Dome only add 6"

All o-rings and gaskets are solvent resistant

*NOTE: Dome topped vessels are not constructed or tested under ASME BPVC Section VIII Division 1,2 or 3 rules. Please operate below 15 PSI (100 kPa) at all times. (A 10 PSI blow off valve is standard for dome tanks. Removal of blow off valve is not recommended)

AUTOQUIP MT 3404 - Mix Tanks

AQ Tank Part Number Options

MT 3404 -	A	B	C	D	-	E	F	-	G	H	I
	1	1	0	1	-	0	1	-	0	0	1

Tanks

Mix Tank Size Options "A"

- 1 = 5 gallon tank
- 2 = 10 gallon tank
- 3 = 15 gallon tank
- 4 = 20 gallon tank
- 5 = 30 gallon tank
- 6 = 60 gallon tank
- 7 = 80 gallon tank

Lid Type "B"

- 1 = Flat 5-20 gallon
- 2 = Flat 30-80 gallon
- 3 = Dome 5-20 gallon*
- 4 = Dome 30-80 gallon*

Intrinsic Level Sensor "C"

- 0 = None
- 1 = Level sensor only w/ zehner and 25' cable
- 2 = Level sensor w/ controller

Polish "D"

- 0 = Non electro Polish
- 1 = 5-20 gallon Electro Polish
- 2 = 30-80 gallon Electro Polish

Options

Option 1: 304 SS Ball Valves for Bottom Outlet "E"

- 0 = None
- 1 = 1/2" NPT
- 2 = 3/4" NPT
- 3 = 1" NPT - 2" NPT

Option 2: Agitator "F"

- 0 = None
- 1 = Pneumatic
- 2 = Pneumatic w/ air flow control
- 3 = Electric

Option 3: Pump Bracket "G"

- 0 = None
- 1 = Yes

Option 4: Sight Gauge "H"

- 0 = None
- 1 = Yes

Option 5: Pour Lip "I"

- 0 = None
- 1 = 5-20 gallon
- 2 = 30 gallon

Description Example:

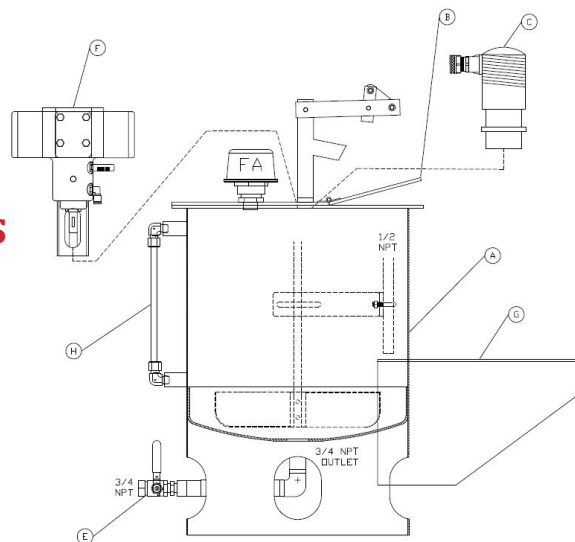
MT 3404-1101-01-001

- Mix Tank: 5 gallon mix tank
- Lid Type: Flat 5-20 gallon
- Level Sensor: None
- Polished: 5-20 gallon Electro Polish
- Ball Valve: None
- Agitator Motor: Pneumatic
- Pump Bracket: None
- Sight Gauge: None
- Pour Lip: 5-20 gallon

Energy Efficient Accessories for Tanks

Closed Loop RPM Control	3114-CLR3-000
Pump Flow Control	3076-PFC3-000
ECO 2M Piston Air Engine	3077-HAE2-000
ECO 3M Piston Air Engine	3077-HAE3-000
ECO 7M Piston Air Engine	3077-HAE7-000

Ask your sales representative for other Autoquip energy efficient products.



www.aqautomation.com

N57W13430 Reichert Avenue
Menomonee Falls, WI 53051
Ph: 262-781-6133 • Fx 262-781-6188
sales@aqautomation.com

AUTOQUIP
AUTOMATION

