

System Description

Autoquip offers a stainless steel, easy to install brush tip cleaner that can be wall or floor mounted. The nylon brushes are solvent resistant and are driven by a regulated pneumatic motor. The Brush Tip Cleaner can be integrated into the automatic color change sequence controlled by the robot. Optional blow off nozzles are available for drying.

Brush Tip Cleaner Variations

3057-02-00A	Air Piloted without Switch Valve for Conventional Gun
3057-03-00A	Air Piloted without Switch Valve for Electrostatic Gun
3057-00CV-01	Air Piloted with Switch Valve for Conventional Gun
3057-00ES-01	Air Piloted with Switch Valve for Electrostatic Gun
3057-02CV-00A	Dual Brush with Switch Valve
3057-03CV-00A	Dual Brush without Switch Valve



Standard Features

- Efficiently removes most coating materials including water reduced coatings
- Minimal solvent usage, which minimizes waste by-products
- Air powered wet brush removes hard to clean overspray from air caps
- Works with most conventional and electrostatic spray guns
- Outfitted with single or dual brush for twin head spray guns

AUTOQUIP 3057

Brush Tip Cleaner

Options

3057-50-01A* AQ Foot Mount Base *(12", 18", 24")
 3057-50-02A AQ Wall Mount Bracket
 3057-50-03A AQ Wall Mount Lubricator
 AD220 Air Motor Lubrication Oil

3057-60-00A Rotational Feedback Kit

Includes the following:
 3057-60-01A Proximity Switch
 3057-60-02A Proximity Mount
 3057-60-03A I.S. Barrier
 3057-60-04A Cam

3057-50-00A Brush Replacement Kit (Standard Kit)

Includes the following:
 3057-10-07A 3" Nylon Brush (Qty 2) For Electrostatic
 3057-10-08A 2" Nylon Brush (Qty 1)

3057-50-00A-1L-2S Brush Replacement Kit (Contains (1) 3" brush and (2) 2" brushes)

Includes the following:
 3057-10-07A 3" Nylon (Qty 1) For Conventional
 3057-10-08A 2" Nylon (Qty 2)

3057-50-00B Brush Replacement Kit (Stiffer Brush)

3057-99-00A Tip Cleaner Control Box
 3057-65-00A Blow Off Kit
 3057-INST-000 Brush Tip Cleaner Installation Kit

Technical Specifications

Standard Air Motor Consumption (Continuous Duty):

- 15 cfm @ 60 RPM and 60 PSI
- Max. recommended pressure: 80 PSI

Maximum Recommended Signal Pressure:

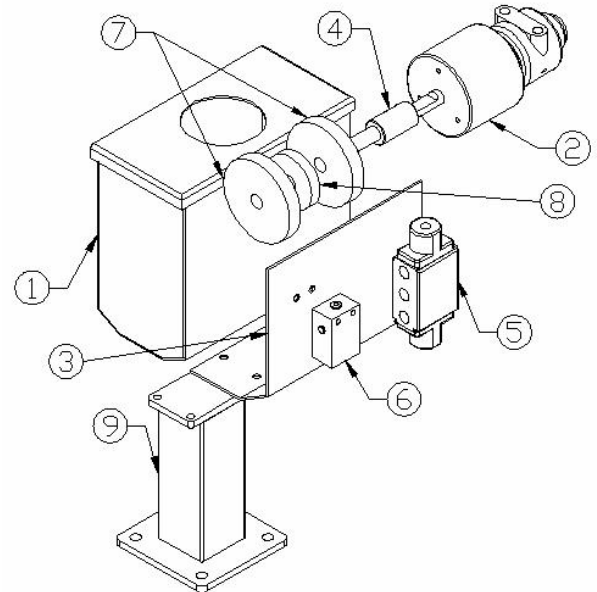
- 80 PSI

Wetted Parts: 304 & 316 stainless steel, Nylon 11, Brass, and PTFE

Item # Description

1	Tank
2	Air Motor Drive
3	Side Plate
4	Arbor
5 (T)	Valve
6 (T)	Switch Valve
7 (#)	3" Nylon Brush (3057-00CV-01 - CV Only) (Qty 1)
7 (*)	3" Nylon Brush (All other models) (Qty 2)
8 (#)	2" Nylon Brush (3057-00CV-01 - CV Only) (Qty 2)
8 (*)	2" Nylon Brush (All other models) (Qty 1)
9	Optional Mounting Base
10	Drain Valve

Supplied in Brush Replacement Kit 3057-50-00A-1L-2S
 * Supplied in Brush Replacement Kit 3057-50-00A
 (T) Not included in: 3057-02-00A, 3057-03-00A, 3057-03CV-00A



www.aqautomation.com

N57W13430 Reichert Avenue
 Menomonee Falls, WI 53051
 Ph: 262-781-6133 • Fx 262-781-6188
sales@aqautomation.com

AUTOQUIP
AUTOMATION

