

## 55 Gallon Back Geared Agitators

3092-XXXX-X0X

Gear Ratio:

1 = 1:1

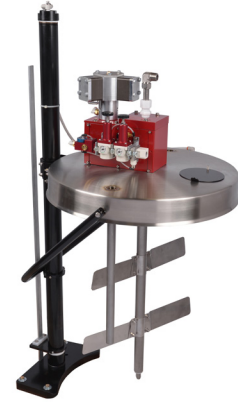
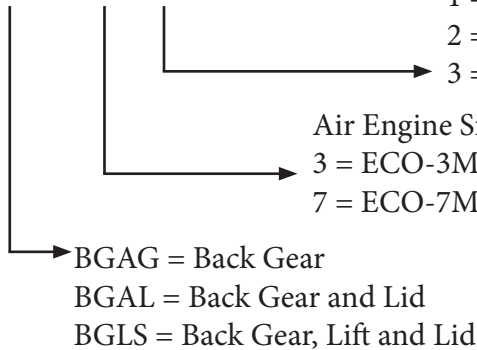
2 = 2:2

3 = 3:3

Air Engine Size:

3 = ECO-3M Air Engine

7 = ECO-7M Air Engine



3092-BGLS-301

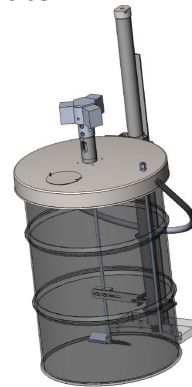
55 Gallon 1:1 Back Geared Agitator with  
Elevator and Drum Lid

## 55 Gallon Drum Systems

3077-55LD-301	HAE3 Agitator and Drum Lid
3077-55LD-701	HAE7 Agitator and Drum Lid
3099-55EL-002	55 Gal Elevator and Lid - No Agitator
3099-55EL-300	HAE3 55 Gal Direct Drive Agitator, Elevator, and Lid
3099-55EL-301	HAE3 55 Gal Direct Drive Agitator and Elevator
3099-55EL-700	HAE7 55 Gal Direct Drive Agitator, Elevator, and Lid
3099-55EL-701	HAE7 55 Gal Direct Drive Agitator and Elevator



3099-55EL-002 - 55 Gallon Elevator  
with Drum Lid only



3099-55EL-300 - 55 Gallon Direct Drive  
Agitator with Elevator and Drum Lid

## Simple and Flexible 55 Gallon Drum Lift System

- Smooth, strong lifting cylinder
- Full drum width mixing blades
- Twin mixing blades to thoroughly mix finishing materials
- Center siphon option for material transfer
- Stainless drum cover
- Lift guide maintains lid orientation

# AUTOQUIP 3077/3092/3099

## Ergonomic 55 Gallon Elevator System

### Standard Features

- Simple clean mechanical design
- Ultra-low air consumption
- Elevator lift reduces ergonomic issues
- Large center feed blending blade and slow speed reduces process issues

### Technical Specifications

Maximum Air Inlet Pressure: 100 psi

Air Inlet Connection: 3/8" NPT (f)

Maximum Weight Capacity: 250 lbs. @60 psi, 400 lbs. @100 psi

Designed for use with customer supplied air quick disconnect so the unit cannot be raised unless the rotation has been deactivated.

See individual product flyers for specifications

### Repair Kits

3092-BGRP-351, 1:1 Kit

(for model #3092-BGAG-301 and 3092-BGAG-701)

3092-BGRP-352, 2:1 & 3:1 Kit

(for model #3092-BGAG-302, 303 and 3092-BGAG-702,703)

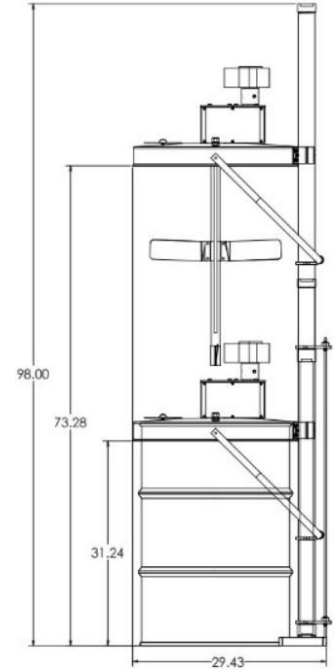
### Options

3077-HAE3-000 ECO-3M Piston Air Engine™

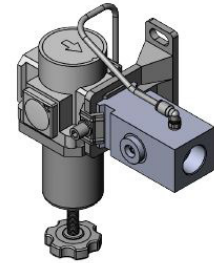
3077-HAE7-000 ECO-7M Piston Air Engine™

3114-CLR3-000 Standard 3/8" Inlet/Outlet Port Closed Loop RPM Control

3114-CLR4-000 Optional 1/2" Inlet/Outlet Port Closed Loop RPM Control



Width of unit approximately 27.5



Closed Loop RPM Control

### Retrofit Back Geared Agitator with Existing Elevator & Lids

Back Geared Agitator for ECO-3M Piston Air Engine™

3092-BGAG-301 (1:1 Ratio)

3092-BGAG-302 (2:1 Ratio)

3092-BGAG-303 (3:1 Ratio)

Back Geared Agitator for ECO-7M Piston Air Engine™

3092-BGAG-701 (1:1 Ratio)

3092-BGAG-702 (2:1 Ratio)

3092-BGAG-703 (3:1 Ratio)

\*Please contact your local Autoquip Distributor ([www.aqautomation.com/where-to-buy](http://www.aqautomation.com/where-to-buy)) or AQ sales representative at 262-781-6133 for more information.

[www.aqautomation.com](http://www.aqautomation.com)

N57W13430 Reichert Avenue  
Menomonee Falls, WI 53051  
Ph: 262-781-6133 • Fx 262-781-6188  
sales@aqautomation.com

**AUTOQUIP**  
**AUTOMATION**

