

## Gun Flush Box

3065-GFNC-000

Gun Flush Box without ACOV (Air Cut Off Valve), includes Insert

3065-GFNC-100

Gun Flush Box without ACOV (Air Cut Off Valve) and without Insert

3065-GFAC-000

Gun Flush Box w/ACOV (Air Cut Off Valve), includes Insert

3065-GFAC-100

Gun Flush Box w/ACOV (Air Cut Off Valve) and without Insert



### **INSTRUCTIONS!**

This manual contains important warnings and information. **READ AND KEEP FOR REFERENCE**

# CONTENTS

ORDERING .....	2
SAFETY .....	3 - 4
TECHNICAL DATA .....	5
INSTALLATION .....	5
OPERATION.....	6
TYPICAL 2K MANUAL GUN INSTALLATION .....	7
GUN FLUSH BOX (GFB) ASSEMBLY .....	8
GUN FLUSH BOX (GFB) SUB - ASSEMBLIES.....	9 - 12
WARRANTY .....	13

# ORDERING INFO

<u>AQ PART NUMBER</u>	<u>AQ PART DESCRIPTION</u>
3065-GFPK-100	Gun Flush Box Spare Parts Kit

Includes:

3065-GF-09SD	Block
3065-GF-13SD	Push Cap
3065-GF-14SD	Trigger Cap
3065-GF-23A	Trigger Cylinder
3065-GF-24A	Push Cylinder
3065-GF-27A	5/32 Plug In Y Fitting
3065-GF-28A	5/32" Tube x 1/8" NPT Tee Fitting
3065-GF-29A	5/32" Tube x 1/8" NPT Elbow
3065-GF-30A	3065-GF-30A, #10-32 x 5/32 Tube Fitting
3065-GF-31A	Air Switch
3065-GF-32L	Torsion Spring Left
3065-GF-32R	Torsion Spring Right
3065-GF-33A	Compression Spring
3065-GF-35A	GFB Chain Connector
3065-GF-36A	GFB Chain Link

# SAFETY



## WARNING

This symbol alerts you to the possibility of serious injury or death if you do not follow the instructions.



## CAUTION

This symbol alerts you to the possibility of damage to or destruction of equipment if you do not follow the instructions.



## WARNING

### EQUIPMENT MISUSE HAZARD

Equipment misuse can cause the equipment to rupture or malfunction and result in serious injury.

- This equipment is for professional use only.
- Read all instruction manuals, tags, and labels before operating the equipment.
- Use the equipment only for its intended purpose. If you are not sure, call your Autoquip distributor.
- Do not alter or modify this equipment. Use only genuine Autoquip parts.
- Check equipment daily. Repair or replace worn or damaged parts immediately.
- Use fluids and solvents that are compatible with the equipment wetted parts. Refer to the **Technical Data** section of all equipment manuals. Read the fluid and solvent manufacturer's warnings.
- Always wear protective eyewear, gloves, clothing, and respirator as recommended by the fluid and solvent manufacturer.
- Comply with all applicable local, state, and national fire, electrical, and safety regulations.

# SAFETY

## WARNING

### FIRE AND EXPLOSION HAZARD

Improper grounding, poor ventilation, open flames, or sparks can cause a hazardous condition and result in a fire or explosion and serious injury.

- Ground the equipment and the object being sprayed
- If there is any static sparking or you feel an electric shock while using the equipment, **stop spraying immediately**. Do not use the equipment until you identify and correct the problem.
- Do not use 1,1,1-trichloroethane, methylene chloride, other Halogenated hydrocarbon solvents, or fluids containing such solvents in aluminum components. Such use could result in a serious chemical reaction, with the possibility of explosion.
- Do not use kerosene or other flammable solvents or combustible gases to flush the unit.
- Provide fresh ventilation to avoid the buildup of flammable fumes from solvents or the fluid being sprayed.
- Keep the spray area free of debris, including solvent, rags, and gasoline.
- Before operating this equipment, electrically disconnect all equipment in the spray area.
- Before operating this equipment, extinguish all open flames or pilot lights in the spray area.
- Do not smoke in the spray area.
- Do not turn on or off any light switch in the spray area while spraying or while there any fumes in the air.
- Do not operate a gasoline engine in the spray area.

### INJECTION HAZARD

Spray from the gun, hose leaks, or ruptured components can inject fluid into your body and cause extreme serious injury, including the need for amputation. Splashing fluid in the eyes or on the skin can cause serious injury.

- Fluid ejected into the skin might look like just a cut, but it is a serious injury. **Get immediate medical attention.**
- Do not point the spray gun at anyone or at any part of the body.
- Do not put hand or fingers over the spray tip.
- Do not stop or deflect fluid leaks with your hand, body, glove, or rag.
- Tighten all fluid connections before operating the equipment.
- Check the hoses, tubes, and couplings daily. Replace worn, damaged, or loose parts immediately. Permanently coupled hoses cannot be repaired; replace the entire hose.

### HAZARDOUS VAPORS

Hazardous fluids or toxic fumes can cause serious injury or death if splashed in the eyes or on the skin, swallowed, or inhaled. When flushing the air motor, keep your face away from the exhaust port.

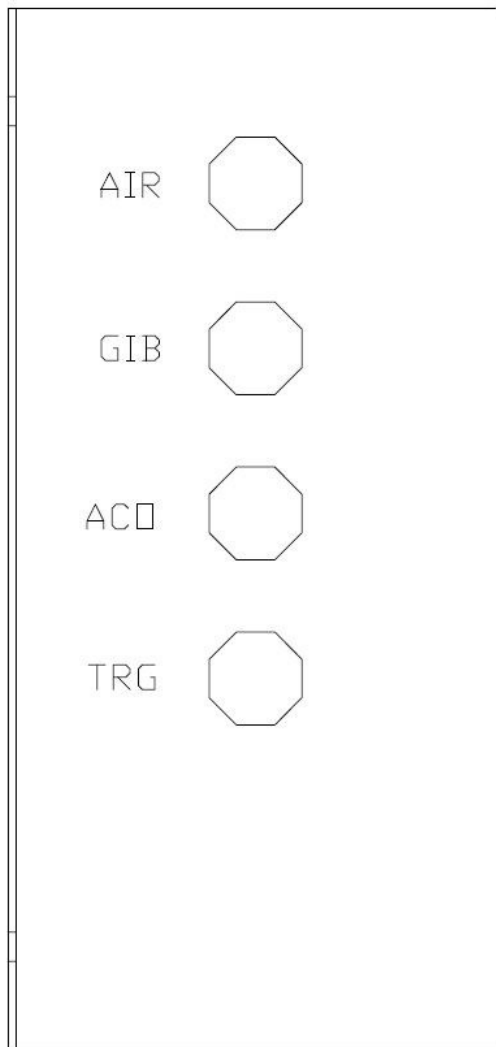
United States Government safety standards have been adopted under the Occupational Safety and Health Act. You should consult these standards – particularly the General Standards, Part 1910, and the Construction Standards, Part 1926.

## TECHNICAL DATA

Maximum Inlet Pressure: 100PSI

Materials: Stainless Steel, Aluminum, HDPE

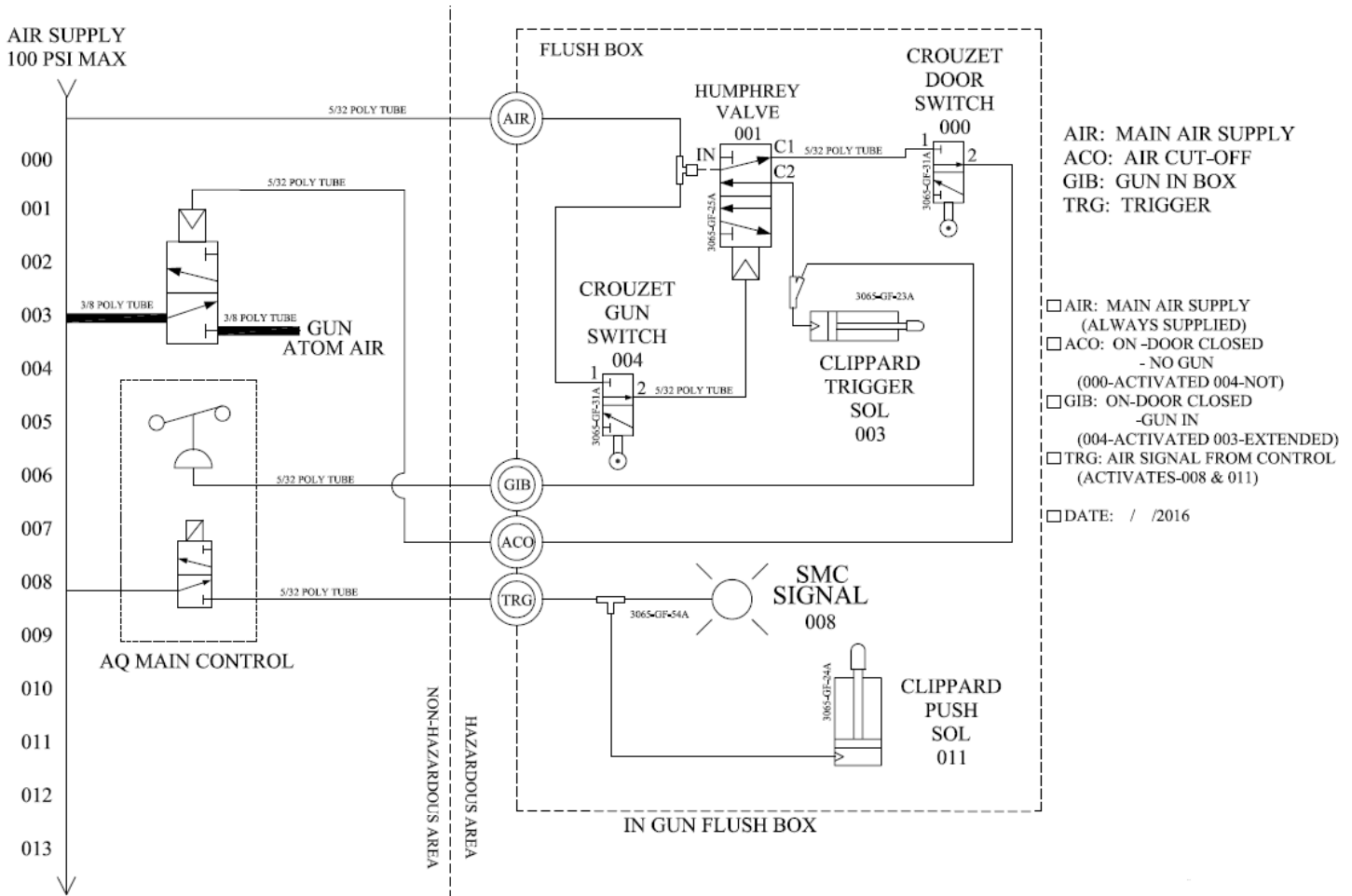
## INSTALLATION



AIR: Supply Air  
GIB: Gun-In-Box  
ACO: Air Cut-Off  
TRG: Trigger

Attach 5/32" tubing from corresponding inlet/outlet on Gear Pump cabinet or Main Air Supply line to the AQ Gun Flush Box.

# OPERATION



**AIR: Supply Air**  
Supplies the air to run the system.

**GIB: Gun-In-Box**  
Sends a signal to the system when a gun is in the box and the lid is closed.

**ACO: Air Cut-Off**  
When handgun is placed into GFB and lid is closed, the air cut off pilot signal closes the atomizing air to the handgun.

**TRG: Trigger**  
Supplies pressure to the trigger solenoid forcing the gun to spray.

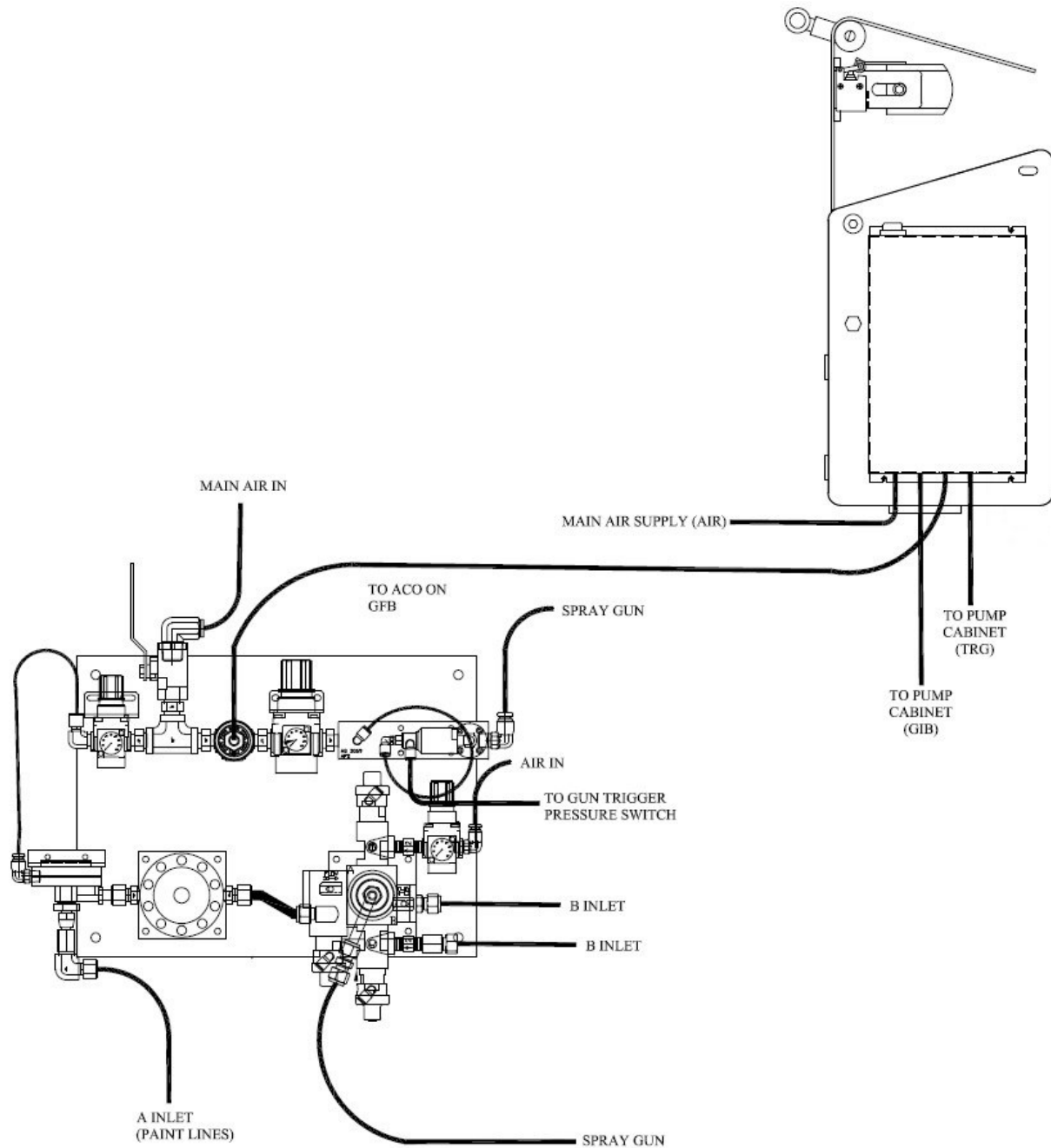
Please refer to the notes below for field adjustments:

Note 1: Adjust spacer support (17) by moving 51, 45 and 54. See page 7 & 9.

Note 2: Adjust block (6) by removing cover (2) and moving 40, 45 and 54. See pages 7 & 9.

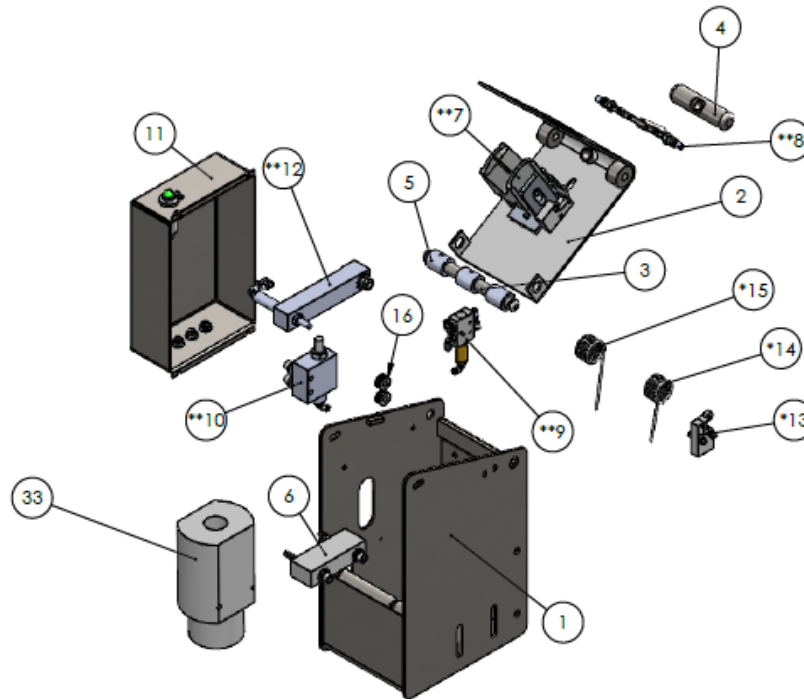
Note 3: Adjust bracket (4) by moving 40, 45 and 54. See page 9.

# TYPICAL 2K MANUAL GUN INSTALLATION



# GUN FLUSH BOX (GFB) ASSEMBLY

ASSEMBLY P/N: 3065-GFAC-000



ITEM NO.	PART NUMBER	DESCRIPTION	QTY.
1	3065-GB-00	AQ GUN FLUSH BOX BODY ASSEMBLY	1
2	3065-GB-02	AQ GUN FLUSH BOX LID ASSEMBLY	1
3	3065-GF-12	AQ GUN FLUSH BOX HINGE	1
4	3065-GF-15	AQ GUN FLUSH BOX HANDLE	1
5	3065-GF-21SD	AQ GUN FLUSH BOX SPRING SPACER	3
6	3065-GF-22SD	AQ GUN FLUSH BOX SUPPORT SPACER	1
**7	3065-GF-100	AQ GUN FLUSH BOX GUN BRACKET ASSEMBLY	1
**8	3065-GF-200	AQ GUN FLUSH BOX HANDLE POST ASSEMBLY	1
**9	3065-GF-300	AQ GUN FLUSH BOX HUMPHREY VALVE ASSEMBLY	1
**10	3065-GF-400	AQ GUN FLUSH BOX PUSH SOLENOID ASSEMBLY	1
11	3065-GF-500	AQ GUN FLUSH BOX END COVER ASSEMBLY	1
**12	3065-GF-600	AQ GUN FLUSH BOX TRIGGER ARM ASSEMBLY	1
*13	3065-GF-31A	AIR SWITCH	1
*14	3065-GF-32R	TORSION TENSION SPRING (RIGHT)	1
*15	3065-GF-32L	TORSION TENSION SPRING (LEFT)	1
16	9600K53	RUBBER GROMMET	2
17	6-32 x 7/8 SS SHCS	6-32 x 7/8 SS SHCS	1
18	SHCS 8-32 X 1IN	SHCS 8-32 X 1IN	2
19	#8 SS WASHER	#8 SS WASHER	4
21	#8 SS LOCK WASHER	#8 SS LOCK WASHER	2
20	8-32 SS NUT	8-32 SS NUT	2
22	10-32 x .25 SS SHCS	10-32 x .25 SS SHCS	4
23	10-32 x .25 SS SET SCREW	10-32 x .25 SS SET SCREW	3
24	1/4-20 X .25 SS SET SCREW	1/4-20 X .25 SS SET SCREW	1
25	5/16-18 x .5 SS SHCS	5/16-18 x .5 SS SHCS	2
26	5/16-18 x .75 SS BHCS	5/16-18 x .75 SS BHCS	2
27	5/16-18 x 3 SS SHCS	5/16-18 x 3 SS SHCS	2
29	5/16" SS FLAT WASHER	5/16" SS FLAT WASHER	6
28	5/16" SS LOCK WASHER	5/16" SS LOCK WASHER	6
30	3/8-16 x .5 SS BHCS	3/8-16 x .5 SS BHCS	2
31	3/8" FLAT WASHER	3/8" FLAT WASHER	2
32	3/8-16 SS NUT	3/8-16 SS NUT	2
33	3065-GF-20SD	AQ GUN FLUSH INSERT UNIVERSAL BLANK	1

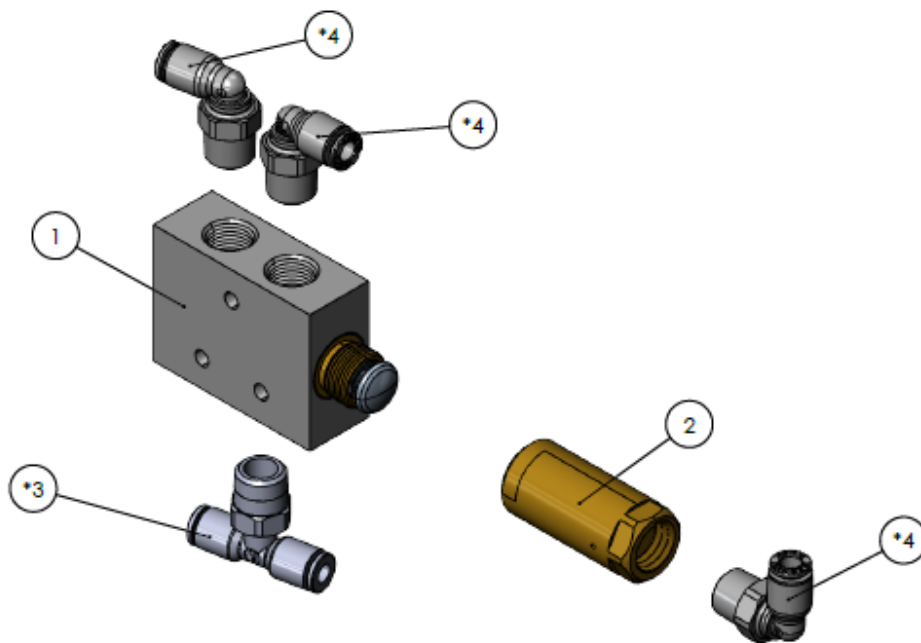
\* DESIGNATES PARTS IN REPAIR KIT

\*\* SELECT PARTS INCLUDED IN REPAIR KIT



# GUN FLUSH BOX (GFB) SUB-ASSEMBLIES

ASSEMBLY P/N: 3065-GF-300

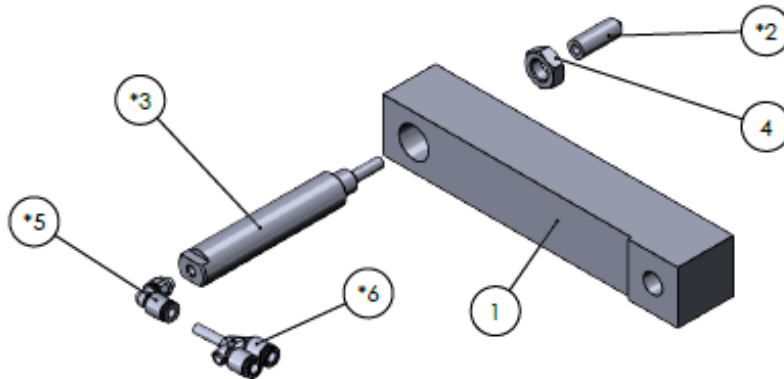


ITEM NO.	PART NUMBER	DESCRIPTION	QTY.
1	41P SWITCH VALVE	SWITCH VALVE	1
2	341A AIR PILOT	AIR PILOT	1
*3	3065-GF-28A	5/32 X 1/8NPT BRANCH TEE	1
*4	3065-GF-29A	5/32 X 1/8NPT MALE ELBOW	3

**\* DESIGNATES PARTS IN REPAIR KIT**

# GUN FLUSH BOX (GFB) SUB-ASSEMBLIES

## ASSEMBLY P/N: 3065-GF-600

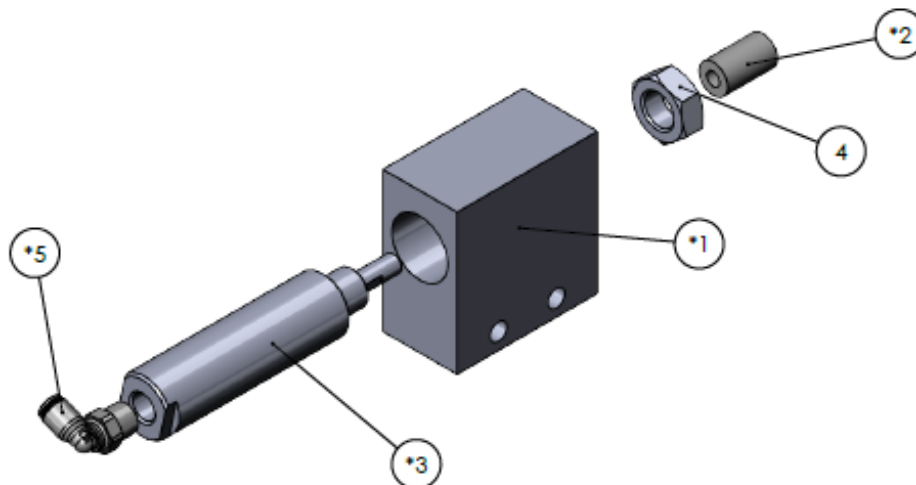


ITEM NO.	PART NUMBER	DESCRIPTION	QTY.
1	3065-GF-10SD	AQ GUN FLUSH BOX ARM	1
*2	3065-GF-14SD	AQ GUN FLUSH BOX TRIGGER CAP	1
*3	3065-GF-23A	TRIGGER SOLENOID	1
4	3065-GF-23B	TRIGGER SOLENOID NUT	1
*5	3065-GF-29A	5/32 X 10-32 MALE ELBOW	1
*6	3065-GF-27A	5/32 PLUG IN Y	1

**\* DESIGNATES PARTS IN REPAIR KIT**

# GUN FLUSH BOX (GFB) SUB-ASSEMBLIES

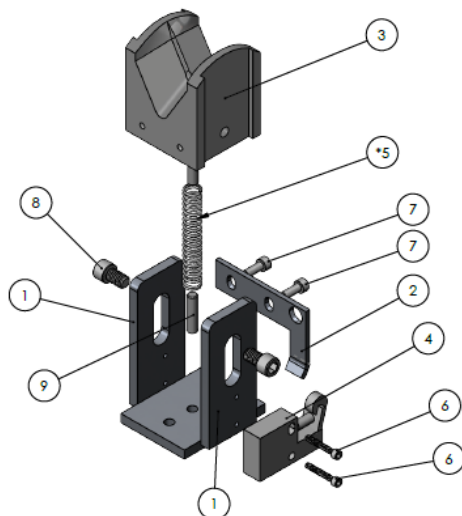
## ASSEMBLY P/N: 3065-GF-400



ITEM NO.	PART NUMBER	DESCRIPTION	QTY.
*1	3065-GF-09SD	AQ GUN FLUSH BOX BLOCK	1
*2	3065-GF-13SD	AQ GUN FLUSH BOX PUSH CAP	1
*3	3065-GF-24A	PUSH SOLENOID	1
4	3065-GF-24B	PUSH SOLENOID NUT	1
*5	3065-GF-29A	5/32 X 1/8NPT MALE ELBOW	1

**\* DESIGNATES PARTS IN REPAIR KIT**

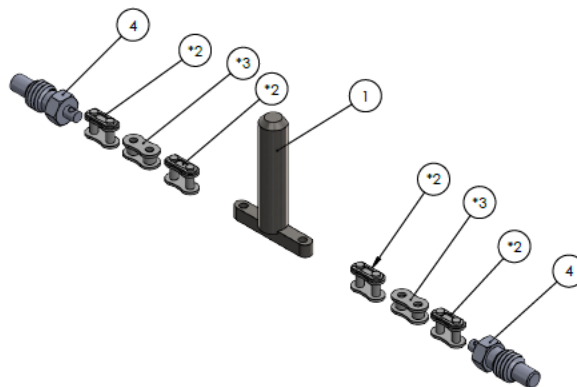
**ASSEMBLY P/N: 3065-GF-100**



ITEM NO.	PART NUMBER	DESCRIPTION	QTY.
1	3065-GB-03	AQ GUN FLUSH BOX BRACKET	1
2	3065-GF-08	AQ GUN FLUSH BOX TOGGLE PLATE	1
3	3065-GF-11	AQ GUN FLUSH BOX GUN SEAT	1
4	3065-GF-31A	AIR SWITCH	1
*5	3065-GF-33A	COMPRESSION SPRING	1
6	6-32 x 7/8 SS SHCS	6-32 x 7/8 SS SHCS	2
7	10-32 x .5 SS SHCS	10-32 x .5 SS SHCS	2
8	5/16-18 x .5 SS SHCS	5/16-18 x .5 SS SHCS	2
9	74171	1/4 x 1 SS DOWEL PIN	2

**\* DESIGNATES PARTS IN REPAIR KIT**

**ASSEMBLY P/N: 3065-GF-200**



ITEM NO.	PART NUMBER	DESCRIPTION	QTY.
1	3065-GB-05	AQ GUN FLUSH BOX HANDLE POST WELDMENT	1
*2	3065-GF-35A	GFB CHAIN CONNECTOR	4
*3	3065-GF-36A	GFB CHAIN LINK	2
4	8500A13	SPRING PLUNGER	2

**\* DESIGNATES PARTS IN REPAIR KIT**

## AUTOQUIP STANDARD WARRANTY

Autoquip Inc. warrants all equipment manufactured by Autoquip Inc. and bearing its name to be free from defects in material and workmanship on the date of sale by an authorized Autoquip Inc. distributor to the original purchaser for use. With the exception of any special, extended, or limited warranty published by Autoquip Inc., Autoquip Inc. will, for a period of twelve months from the date of sale, repair or replace any part of the equipment determined by Autoquip Inc. to be defective. This warranty applies only when the equipment is installed, operated, and maintained in accordance with Autoquip Inc.'s written recommendations.

This warranty does not cover, and Autoquip Inc. shall not be liable for general wear and tear, or any malfunction, damage, or wear and tear caused by faulty installation, misapplication, abrasion, corrosion, inadequate or improper maintenance, negligence, accident, tampering, or substitution of non-Autoquip Inc. component parts. Nor shall Autoquip Inc. be liable for malfunction, damage or wear caused by the incompatibility of Autoquip Inc. equipment with structures, accessories, equipment, or materials not supplied by Autoquip Inc., or the improper design, manufacture, installation, operation or maintenance of structure, accessories, equipment, or materials not supplied by Autoquip Inc.

This warranty is conditioned upon the prepaid return of the equipment claimed to be defective to an authorized Autoquip Inc. distributor for verification of the claimed defect. If the claimed defect is verified, Autoquip Inc. will repair or replace free of charge any defective parts. The equipment will be returned to the original purchaser transportation prepaid. If inspection of the equipment does not disclose any defect in material or workmanship, repairs will be made at a reasonable charge, which charges may include the costs of parts, labor, and transportation.

**THIS WARRANTY IS EXCLUSIVE, AND IS IN LIEU OF ANY OTHER WARRANTIES, EXPRESS OR IMPLIED, INCLUDING BUT NOT LIMITED TO WARRANTY OF MERCHANTABILITY OR WARRANTY OF FITNESS FOR A PARTICULAR PURPOSE.**

Autoquip Inc.'s sole obligation and buyer's sole remedy for any breach of warranty shall be set forth above. The buyer agrees that no other remedy (including, but not limited to incidental or consequential damages for lost profits, lost sales, injury to person or property, or any other incidental or consequential loss) shall be available. Any action for breach of warranty must be brought within two (2) years of the date of sale.

Autoquip Inc. makes no warranty, and disclaims all implied warranties of merchantability and fitness for a particular purpose in connection with accessories, equipment, material, or components sold but not manufactured by Autoquip Inc. These items sold, but not manufactured by Autoquip Inc. (such as electric motors, switches, hose, etc.) are subject to the warranty, if any, from their manufacturer. Autoquip Inc. will provide purchaser with reasonable assistance in making any claim for breach of these warranties.

In no event will Autoquip Inc. be liable for indirect, incidental, special, or consequential damage resulting from Autoquip Inc. supplying equipment hereunder, or the furnishing, performance, or use of any products or other goods sold hereto, whether due to breach of contract, breach of warranty, the negligence of Autoquip Inc., or otherwise.

### **FOR AUTOQUIP, INC. CANADA CUSTOMERS**

The parties acknowledge that they required that the present document, as well as all documents, notices and legal proceedings entered into, given or instituted pursuant hereto or relating directly or indirectly hereto, be drawn up in English. Les parties reconnaissent avoir convenu que la rédaction du présente document sera en Anglais, ainsi que tous documents, avis et procédures judiciaires exécutés, donnés ou intentés à la suite de ou en rapport, directement ou indirectement, avec les procédures concernées.

## Autoquip Phone Numbers

**TO PLACE AN ORDER**, contact your Autoquip distributor, or call this number to identify the distributor closest to you :  
(262) 781-6133

*All written and visual data contained in this document reflects the latest product information available at the time of publication. Autoquip reserves the right to make changes at any time without notice.*

**Sales Offices :** MENOMONEE FALLS, WI (262) 781-6133

AUTOQUIP, INC. N57 W13430 REICHERT AVENUE MENOMONEE FALLS, WI 53051

**<http://www.aqautomation.com>**

PRINTED IN USA April 2001