

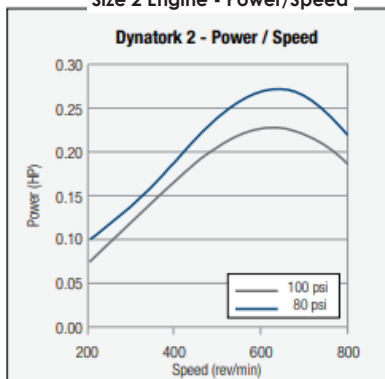
**Compressed air costing too much?
The Autoquip ECO-2M reduces air motor consumption
up to 15 times more than other brands**

FEATURES & BENEFITS

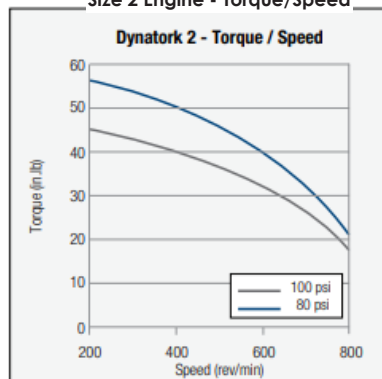
- The #2 air engine has been developed for special applications
- Incorporates a highly efficient piston design that consumes less air
- Smoother and quieter operation
- Lube free design eliminates the need for oils
- Durable cam design provides long life
- Closed loop RPM control available (see options on reverse side)
- Quick and easy servicing
- No routine maintenance required



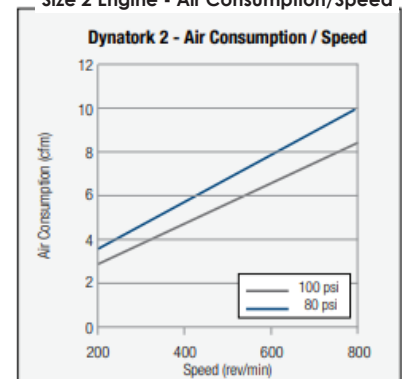
Size 2 Engine - Power/Speed



Size 2 Engine - Torque/Speed



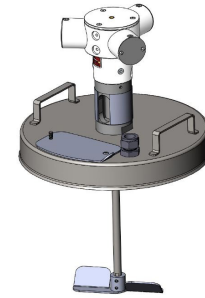
Size 2 Engine - Air Consumption/Speed



OPTIONS/ACCESSORIES

3077-RKT2-000	Size 2 Rebuild Kit
3077-INS2-000	Size 2 Installation Kit
3077-BSA2-000	Size 2 Body Sub-Assembly Kit
3077-AMPP-201	1/4" PTL x 1/4" BSPP
3114-CLR3-000	3/8" Closed Loop RPM Control

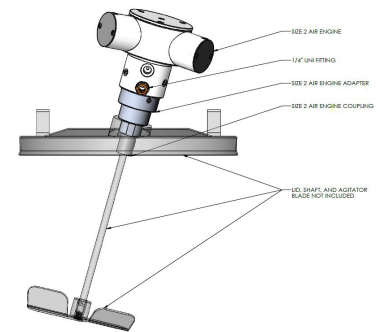
5 Gallon Lid Assembly (for Binks/Graco) 3404-PL05-200



STANDARD ASSEMBLIES

3404-PL05-200	AQ 5 Gallon Lid Assembly
3077-HAE2-050	5 Gallon Pail Lid Adapter for Graco/Binks without PAE
3077-HAE2-150	5 Gallon Pail Lid Adapter for Graco/Binks with PAE
3077-BP02-200	Binks 2 Gallon Pressure Pot Agitation System
3077-BP05-200	Binks 5 Gallon Pressure Pot Agitation System
3077-BP10-200	Binks 10 Gallon Pressure Pot Agitation System
3077-GP02-200	Graco 2 Gallon Pressure Pot Agitation System
3077-GP05-200	Graco 5 Gallon Pressure Pot Agitation System
3077-GP10-200	Graco 10 Gallon Pressure Pot Agitation System
3077-AQ05-200	AQ 5 Gallon Agitator System for Mix Tank
3077-AQ10-200	AQ 10 Gallon Agitator System for Mix Tank

5 Gallon Pail Conversion Kit (for Binks/Graco) 3077-HAE2-150



TECHNICAL SPECIFICATIONS

Temperature Range	14°F to 176°F (-10°C to 80°C)
Height	6.226"
Diameter	6.778"
Shaft Diameter	0.5" (12.7 mm)
Weight	4.35 lb (1.98 kg)
Pneumatic Connection Air Input	1/4" BSPP/UNI
Speed Range	200 - 800 rpm
Maximum Input Pressure	100 PSI
Torque Output	Torque at 200 rpm/6.9 bar (100 psi) :55.3 in. lb (6.25 Nm) Torque at 800 rpm/6.9 bar (100 psi) :20.4 in. lb (2.3 Nm)
Maximum Air Consumption	800 rpm/6.9 bar :10.01 ft ³ /min (17 m ³ /h)

Autoquip has a complete line of different sized air engines to match your speed and torque application requirements. (See website for other sizes)

LOOKING FOR MORE INFORMATION?

Visit www.aqautomation.com/products/eco-piston-air-motor-size-2 for more information about Autoquip's ECO-2M Piston Air Engine.

At Autoquip we are dedicated to deliver high quality products, custom engineered solutions, and technical expertise that consistently meet or exceed our customers' expectations.

GET IN TOUCH

For other Autoquip product offerings, please visit us at www.aqautomation.com or email us at sales@aqautomation.com



262.781.6133

N57W13430 Reichert Ave
Menomonee Falls, WI 53051

<https://www.linkedin.com/company/aqautomation>

<https://www.youtube.com/c/AutoquipAutomation>

<https://www.facebook.com/AQAutomation>



Sales:
+52-844-415-5474

Customer Support:
+52-811-804-6291